

Floating Air Troffer

CCT & Wattage Adjustable Version



The indirect LED troffer offers a traditional modern design with the latest lighting technology. Transparent optics engineered specifically for LED sources are integrated with minimalist design and architectural materials to create a broad range of solutions with superior optical and energy performance. High performing optics allows for maximum energy savings and optimal illumination in a ultra-minimalistic shallow recessed fixture, provides a unique translucent appearance without sacrificing performance.

It is architectural recessed lighting solution that compatible for commercial and institutional environments, including office building, medical, health, educational, retail, hotel, airport, hospitality, etc.



Feature

- Available in 2x2 and 2x4 sizes
- Transparent Optics
- Wattage adjustable, 110lm/w
- CCT selectable from 3000K, 3500K and 4000K
- Recessed form factor fits most T-grid systems

US PATENT
US D921,955 S



PERFORMANCE

Model NO.	Dimension	Wattage Adjustable	Lumen Output			Efficacy	CCT Adjustable
			High	Medium	Low		
TT22-DM-04W	2'x2'	40W/30W/20W	4400lm	3300lm	2200lm	Up to 110lm/w	3000K/3500K/4000K
TT24-DM-04W	2'x4'	50W/40W/30W	5500lm	4400lm	3300lm	Up to 110lm/w	3000K/3500K/4000K

All efficacy is ±5% base on different CCT and wattage. Check the IES file to gain the accurate data .

Floating Air Troffer

CCT & Wattage Adjustable Version



PRODUCT PERFORMANCE

► Optics

It offers unique transparent optics to enhance the fixture aesthetic. fully- uniform transparent optics provide uniform, low-glare illumination for a clean, modern, upgraded look, creating direct and indirect light distribution.



► Construction

Extruded aluminum housing.

► Finish

Powder coat white finish provides uniform finish providing long term performance and superior aesthetic.

► Electrical

LED Driver It is powered by Class 2 high efficiency LED driver, with a standard 1-10V dimming which continuous dims to 10% that works with many types of controls. Tested Dimmers: Lutron @ Diva-Dvtv, Leviton @ IP-710-DL.

THD <20%

Power Factor >0.9

Input Voltage Standard electronic drivers are cULus recognized and available for 110-277V or 110-347V* AC.

► LED System

CRI Minimum 80 color rendering index

CCT CCT selectable from 3000K, 3500K and 4000K with a great color consistency

LED Life Minimum 50,000h with 87.8% of lumen maintenance in 25°C ambient temperature, in compliance with IES LM-80 testing measurements.

Thermal Management Aluminum housing acting as the heat sink to maximize life.

Environment Damp rated in operating ambient temperatures of -20°C~40°C .

► Mounting

Recessed

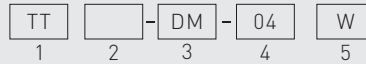
► Approvals

- US Patent (US D921,955 S)
- cULus listed for damp locations
- Tested to IESNA LM-79 and LM-80
- DesignLights Consortium Qualified and classified for DLC Standard, refer to www.designlights.org for details
- 5-year Limited Warranty

PRODUCT ORDERING GUIDE

Sample

TT 22 - DM - 04 W
1 2 3 4 5



1. Base Model

TT LED Troffer

2. Size

22 2'X2'

24 2'X4'

3. Dimming

DM 1-10V Dimming

4. CCT

04 CCT Selectable 3000K/3500K/4000K

5. Wattage

W Wattage Adjustable

OPTIONAL ORDERING GUIDE

Optional Input Voltage

110-277V AC

110-347V AC *

Optional Function

LED Emergency Driver (Order Separated)

Sensor *

*Additional cost and/or lead time on customized fixtures may apply. Some fixtures require an MOQ. Please contact your sales rep for more information.

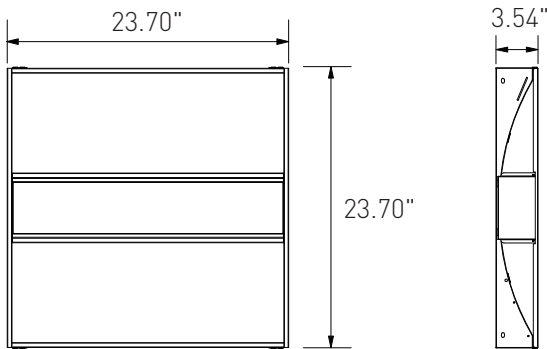
Floating Air Troffer

CCT & Wattage Adjustable Version

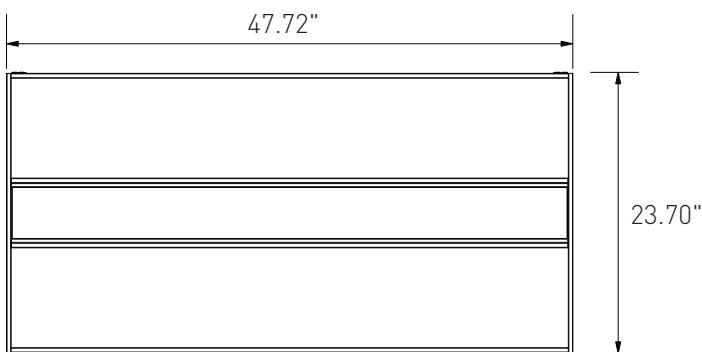


DIMENSION

2x2ft



2x4ft



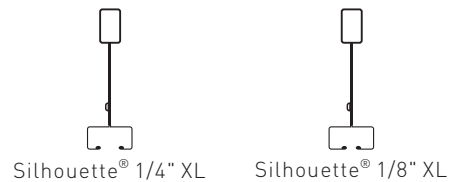
T-GRIDS CEILING COMPATIBILITY

It is architectural recessed lighting solution that compatible with most 15/16" and 9/16" t-grid systems for commercial and institutional environment. The following are only as some common examples to show.

9/16" Flat



9/16" Slot



9/16" Interlude



15/16" Flat



*Please verify compatibility with factory.

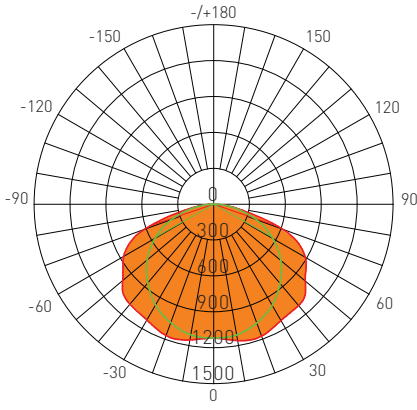
Floating Air Troffer

CCT & Wattage Adjustable Version



DISTRIBUTION DIAGRAM

2'x2' / 3500K



AVERAGE BEAM ANGLE(50%): 131.7°

Test Number: TT22-DM-04W
 Lumens: 4176.3 Lm
 Watts: 37.54 W
 LPW: 111.25 Lm/W
 CCT: 3500K

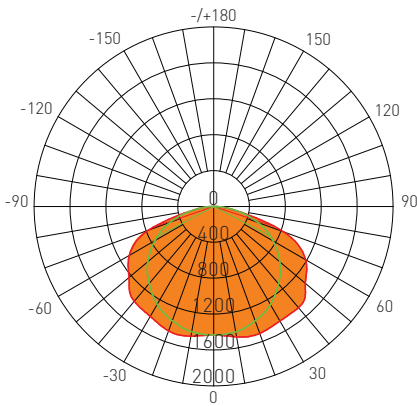
UNIT: cd
 — C0/180,142.4
 — C90/270,120.9

Zonal Flux Diagram						
τ	C0	C45	C90	C135	C180	
10	1157	1135	1109	1132	1152	
20	1173	1137	1056	1130	1168	
30	1124	1084	977.9	1075	1118	
40	1105	998.6	863.3	985.1	1090	
50	999.8	923.2	733.5	902.0	992.9	
60	883.4	772.7	570.2	758.8	868.6	
70	615.3	567.1	381.9	552.9	618.6	
80	191.9	213.5	168.0	217.0	190.9	
90	1.700	1.859	1.366	1.957	2.187	
100	2.024	1.918	1.081	1.844	1.101	
110	3.018	2.687	1.908	2.654	1.854	
120	3.523	2.799	2.082	2.732	1.920	
130	3.279	2.414	2.692	2.378	1.938	
140	2.295	1.607	2.463	1.499	1.956	
150	2.206	0.8639	2.039	0.9721	1.678	
160	1.662	0.8615	2.106	1.014	1.721	
170	1.850	1.026	2.062	1.154	1.711	
180	1.683	1.091	2.463	1.269	1.680	
DEG	LUMINOUS INTENSITY:cd					

Zonal Lumens		
τ	φ total	
0-10	107.6	
10-20	428.0	
20-30	935.2	
30-40	1579	
40-50	2310	
50-60	3044	
60-70	3686	
70-80	4070	
80-90	4164	
90-100	4166	
100-110	4168	
110-120	4170	
120-130	4172	
130-140	4174	
140-150	4175	
150-160	4176	
160-170	4176	
170-180	4176	
	UNIT: lm	

Luminance cd/(m2)			
G(DEG)	C0/180	C90/270	
85	10615	8417	
80	11061	9663	
75	14172	10589	
70	18004	11156	
65	18637	11393	
60	17682	11393	
55	16434	11394	
50	15566	11400	
45	15284	11333	

2'x4' / 3500K



AVERAGE BEAM ANGLE(50%): 133.4°

Test Number: TT24-DM-04W
 Lumens: 5460.4 Lm
 Watts: 48.81 W
 LPW: 111.87 Lm/W
 CCT: 3500K

UNIT: cd
 — C0/180,142.8
 — C90/270,124.1

Zonal Flux Diagram						
τ	C0	C45	C90	C135	C180	
10	1476	1453	1419	1442	1467	
20	1506	1462	1356	1431	1475	
30	1475	1412	1264	1363	1415	
40	1472	1332	1124	1261	1380	
50	1334	1257	965.4	1162	1233	
60	1183	1052	764.1	969.1	1087	
70	829.5	785.9	526.3	724.8	776.3	
80	233.4	277.8	238.8	270.1	223.4	
90	1.578	2.350	14.28	2.462	1.629	
100	1.451	2.109	2.911	2.214	1.815	
110	2.116	2.843	2.507	2.676	2.042	
120	2.355	2.863	1.316	2.762	2.115	
130	2.238	2.051	1.134	1.924	1.950	
140	1.839	1.085	0.9668	0.8426	1.870	
150	1.415	0.7827	0.9557	0.7437	1.752	
160	1.088	0.7829	1.002	0.7228	1.633	
170	1.312	0.8800	1.262	0.9410	1.667	
180	1.390	0.9644	1.314	1.081	1.632	
DEG	LUMINOUS INTENSITY:cd					

Zonal Lumens		
τ	φ total	
0-10	137.5	
10-20	546.5	
20-30	1197	
30-40	2032	
40-50	2987	
50-60	3952	
60-70	4807	
70-80	5325	
80-90	5448	
90-100	5451	
100-110	5454	
110-120	5456	
120-130	5458	
130-140	5459	
140-150	5459	
150-160	5460	
160-170	5460	
170-180	5460	
	UNIT: lm	

Luminance cd/(m2)			
G(DEG)	C0/180	C90/270	
85	11179	12390	
80	13456	13747	
75	18946	14805	
70	24285	15384	
65	24922	15466	
60	23686	15279	
55	22066	15111	
50	20773	15016	
45	20368	14854	

Floating Air Troffer

CCT & Wattage Adjustable Version

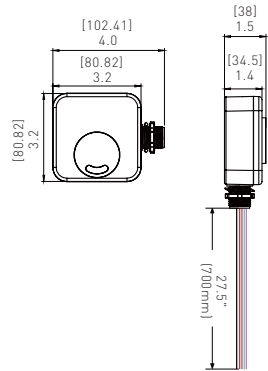


MICROWAVE SENSOR OPTION

Line Voltage Daylight Harvest / Bi-Level



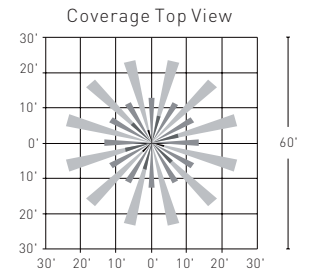
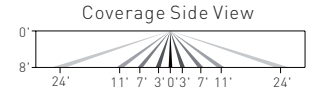
DIP Switch



Specifications

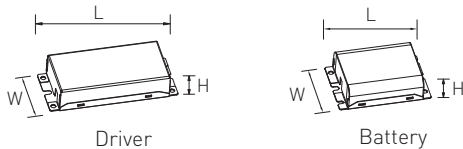
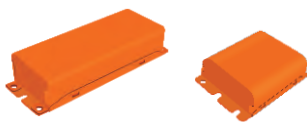
Operating Voltage	120/277VAC, 50Hz/60Hz
Switching Capacity	Resistive/Halogen-800W/1200@120/277V Fluorescent Ballast-660W/1200@120/277V Electronic Ballast(LED/CFL)-5A/5A@120/277V
Stand-by Power	≤0.5W
Detection Area	20%/50%/75%/100%
Hold Time	10s/1min/5min/10min/15min/20min/30min/60min
Daylight Threshold	10Lux/30Lux/50Lux
Stand-by Period	1min/30min/60min/+∞
Stand-by Dimming Level	0%/10%/30%/50%
Microwave Frequency	5.8GHz±5MHz
Microwave Power	< 0.2mW
Mounting Height	Max.6m
Detection Range	Max.8m
Control Line	VIOLET+,GRAY-,RED L'Out, WHITE N, BLACK L in
Operating Temperature	-40°C~+70°C
IP Rating	IP20
Detection Angle	360°

Detection Pattern



EMERGENCY OPTION

Up to 120 minutes in event of power failure



Model		L	W	H
EM-S0854-LBN	Driver	5.08	2.05"	0.99"
	Battery	3.47"	2.33"	0.97"

Specifications

Output Power	8 Watts
Output Voltage	15-54V DC
Input Current	70 mA (Max)
Input Power	3.2 Watts (Max)
Input Voltage	100-277VAC, 50-60Hz
Emergency Operation	≥90 Minutes
Standby Power	< 0.4W
Operating Temp	0°C to 50°C
Battery	Lithium
Recharge	24 Hrs
Compatible LED Luminaire	LED Driver Output Current: 5A Max
Dimensions	Driver: L5.08"×W2.05"×H0.99", Battery: L3.47"×W2.33"×H0.97"
Certificate	UL , CEC
Output Class	UL LELV (Output protection self-resetting)

