



RISK OF FIRE AND ELECTRICAL SHOCK. FIXTURE MUST BE INSTALLED BY A QUALIFIED ELECTRICIAN ONLY IN ACCORDANCE WITH NATIONAL, LOCAL BUILDING AND ELECTRICAL CODES. DISCONNECT POWER AT ELECTRICAL PANEL BEFORE SERVICING.

## IMPORTANT

1. Read all instructions.
2. Please Install in accordance with national and local electrical code regulations.
3. This product is intended to be installed and serviced by a qualified, licensed electrician.
4. No wet locations! dry and damp locations only!
5. Turn off electrical power before installing or servicing fixture in any way.
6. To reduce the risk of fire and overheating, make sure all connections are tight.
7. Under no circumstances can the lighting fixture be covered with heat insulation gasket or similar materials.

## ACCESSORY



Wire Nut



Anchor

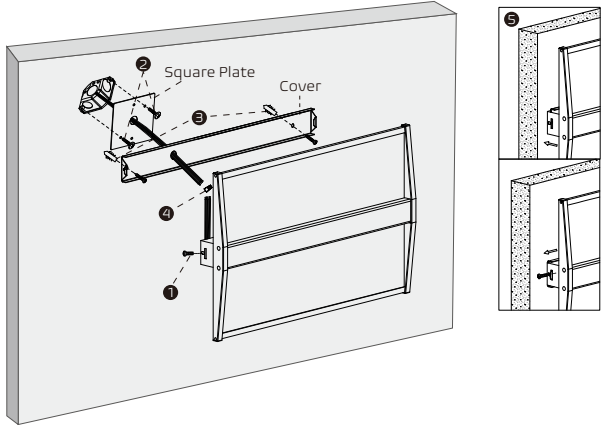
Screw  
PA4X30Screw  
CM4X12Square  
Plate

Please isolate two dimming wires by P2 terminal individually if no need dimming;  
**MUST connect wires with corresponding colors as shown.**



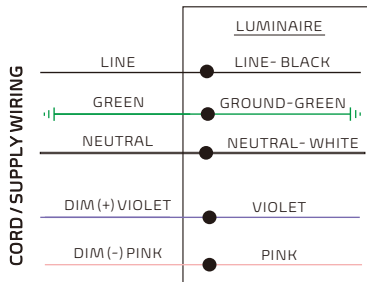
### SHOCK HAZARD!

May result in serious injury or death.  
Turn power OFF at circuit breaker prior to installation or servicing.



- 1 Take off the cover of driver box by screwdriver.
- 2 Thread the power cord of junction box into the cover of driver box and square plate, fix the cover of square plate into the junction box with screws, then plaster.
- 3 Fix the driver box cover on the wall with screw.
- 4 Connect the wires of power cable (provided) with junction box by the wiring caps, then hide all the wires inside the junction box.
- 5 Fix the luminaire on the cover of driver box with screws as shown.

## WIRING





**RISK OF FIRE AND ELECTRICAL SHOCK. FIXTURE MUST BE INSTALLED BY A QUALIFIED ELECTRICIAN ONLY IN ACCORDANCE WITH NATIONAL, LOCAL BUILDING AND ELECTRICAL CODES. DISCONNECT POWER AT ELECTRICAL PANEL BEFORE SERVICING.**

**IMPORTANT**

1. Read all instructions.
2. Please Install in accordance with national and local electrical code regulations.
3. This product is intended to be installed and serviced by a qualified, licensed electrician.
4. No wet locations! dry and damp locations only!
5. Turn off electrical power before installing or servicing fixture in any way.
6. To reduce the risk of fire and overheating, make sure all connections are tight.
7. Under no circumstances can the lighting fixture be covered with heat insulation gasket or similar materials.

**ACCESSORY**



Wire Nut



Anchor



Screw PA4X30



Screw CM4X12



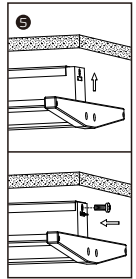
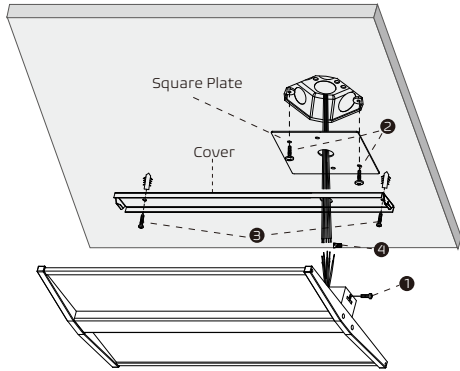
Butterfly Drywall Anchor



Square Plate

**!** Please isolate two dimming wires by P2 terminal individually if no need dimming; **MUST connect wires with corresponding colors as shown.**

**SHOCK HAZARD!** May result in serious injury or death. Turn power OFF at circuit breaker prior to installation or servicing.

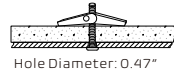


- 1 Take off the cover of driver box by screwdriver.
- 2 Thread the power cord of junction box into the cover of driver box and square plate, fix the cover of square plate into the junction box with screws, then plaster.
- 3 Fix the driver box cover on the wall with screw.

**Ceiling Type**



Hole Diameter: 0.20"



Hole Diameter: 0.47"

- 4 Connect the wires of power cable (provided) with junction box by the wiring caps, then hide all the wires inside the junction box.
- 5 Fix the luminaire on the cover of driver box with screws as shown.

**WIRING**

