

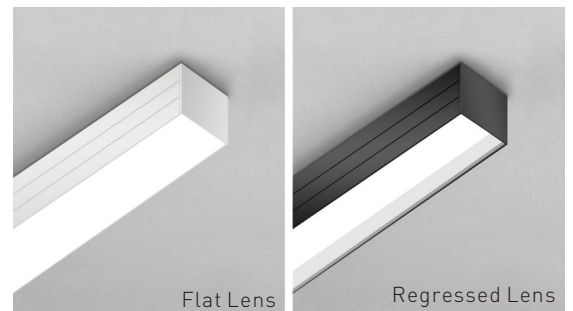
ZETA 3.8"-Surface Mount

Spec-grade | Architectural LED Linear Lighting



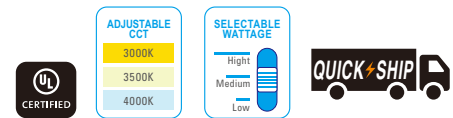
Copyrighted Images

OKT ZETA 3.8" surface linear lighting is an integrated lighting solution that compliments the ceiling and entire space while providing comfortable general illumination. It is available in 2ft, 3ft, 4ft and 8ft, simply provide wide, powerful lighting to any atmosphere with seamless continuous runs or any pattern with illuminated corner. Featured with THREE mounting options in ONE housing, ZETA 3.8" offers numerous linear lighting options that complement our award-winning architectural lighting platform, while providing a consistent aesthetic.



Feature

- Three mounting options in ONE housing - 2', 3', 4' and 8' length options
- Seamless continuous runs or custom patterns with illuminated corner
- CCT & wattage adjustable, up to 1100lm/ft
- Flat lens and deep regressed lens options
- Easy maintenance



PERFORMANCE

Lens	Length	100%DOWN@3500K		
		High	Medium	Low
Flat Lens	2',3',4',8'	1100lm/ft, 10w/ft	800lm/ft, 7.5w/ft	550lm/ft, 5w/ft
Regressed Lens	2',3',4',8'	900lm/ft, 10w/ft	670lm/ft, 7.5w/ft	450lm/ft, 5w/ft

Above are subject to 3500K. All efficacy is ±5% base on different CCT. Check the IES file to gain the accurate data.

ZETA 3.8"-Surface Mount

Spec-grade | Architectural LED Linear Lighting



PRODUCT PERFORMANCE

► Optics

It offers flat lens and deep regressed lens to meet your different requires.

► Finish

- Extruded aluminum housing.
- Powder coat white and black finish or custom.

► Electrical

Internal LED Driver	It is powered by Class 2 high efficiency LED driver, with a standard 0-10V dimming that works with many types of controls. Continuous dims to 10% (standard), 1% (optional) . Tested Dimmers: Lutron® DVSTV, Leviton® IP-710.
THD	<20%
Power Factor	>0.9
Input Voltage	Standard electronic drivers are cULus recognized and available for 100-277V .

► Mounting

- Surface mounted. Optional suspended or recessed.
- Individual or continuous run, up to 40ft in 120V AC, 100ft in 277V AC.
- Custom Pattern with optional Line, L, T and X joiners.

► LED System

CRI	Minimum 80 color rendering index
CCT	CCT adjustable from 3000K, 3500K, 4000K with a great color consistency.
Environment	damp rated for ambient operating temperature of -20°C to +40°C (-4° to+104°F)

► Approvals

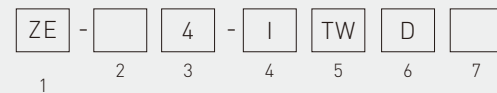
- cULus listed for damp locations
- 5 years limited warranty

PRODUCT ORDERING GUIDE

Default Settings : Maximum wattage and 4000K .

Sample

ZE-2 4 - I TW D D



1. Base Model

ZE ZETA SERIES

2. Length

2 2 feet 4 4 feet
 3 3 feet 8 8 feet

3. Width

4 3.8 inch

4. Driver

I Internal

5. CCT

TW CCT Adjustable (3000K,3500K,4000K)

6. Lighting Distribution

D 100% Down - Surface Mounted

7. Optics Options

D Flat Lens T Regressed Lens

OPTIONAL ORDERING GUIDE

Dimming Options

0-10V, dim to 10% (Standard)
 0-10v, dim to 1% (Optional)

Application

Dry Wall (Mount to J-box)

Joiner Options

Line Joiner Illuminated "L" Joiner
 42' Continuous rolling lens Illuminated "T" Joiner *
 Illuminated "X" Joiner *

Optional Functions

EmergencyOption
 Built-in LED Emergency Driver
 Order Separated LED Emergency Driver

*Additional cost and/or lead time on customized fixtures may apply. Some fixtures require an MOQ. Please contact your sales rep for more information.

ZETA 3.8"-Surface Mount

Spec-grade | Architectural LED Linear Lighting



► Emergency Option

OKT Lighting offers UL& CEC Listed LED emergency drivers. They could be factory installed or field installed. When AC power fails it, immediately switches to the emergency mode operating for lighting minimum 90 minutes. When AC power is restored it, automatically returns to the charging mode which meets critical life-safety lighting requirements.



Built-in LED emergency driver

OKT Lighting offers the LED luminaire with built-in 8w LED emergency driver to provide critical illumination when normal power fails for any reason. It can save your labor cost with simple wiring.

Specification For LED Emergency Driver

Output Power	8 Watts
Output Voltage	15-54V DC
Input Current	70 mA (Max)
Input Power	3.2 Watts (Max)
Input Voltage	110-277VAC, 50-60Hz
Emergency Operation	≥90 Minutes
Standby Power	< 0.4W
Operating Temp	0°C to 50°C
Battery	Lithium
Recharge	24 Hrs
Certificate	UL , CEC

Code-Required Testing

• Initial Self-Test After Installation

It will perform a functional test in 3 seconds after the driver installed to check the wiring and battery output when work. The indicator LED will be off or flicker in case of a failure or an error.

• Second Self-Test In 120 Minutes

It will perform second test in 120 minutes to check again. Upgrade in Gen 3: Repeat 4 times in every 120 minutes if fail in the second test.

• Monthly Self-Test

It will automatically perform a test every 30 days with a duration of 3 seconds, in which the wiring and battery output are checked. In case of a failure or an error, the indicator LED will be off or flicker.

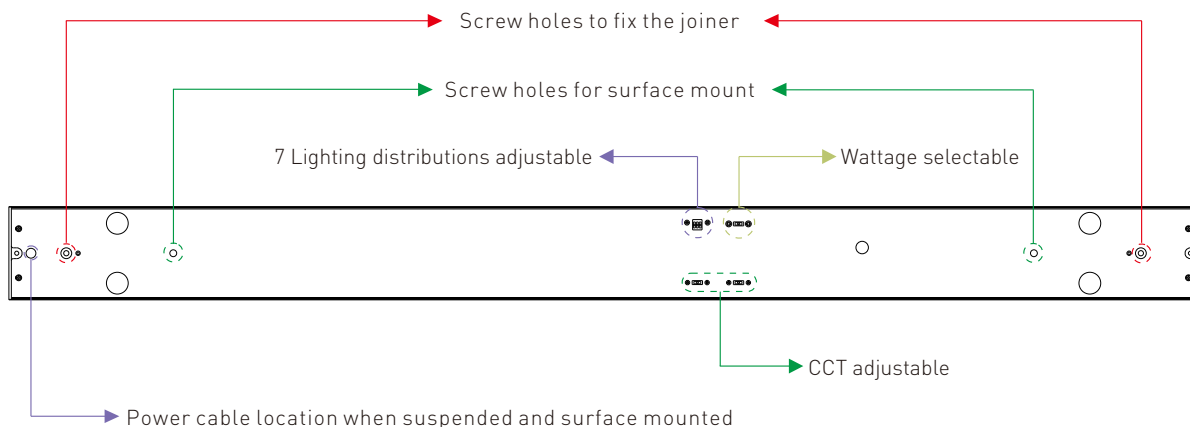


Order Separated LED emergency driver

Optional 8w or 25w high voltage LED emergency driver can be provided if you need and do it wiring in field. For more info or spec sheet please visit our website or contact sales.



► Mounting Location



ZETA 3.8"-Surface Mount

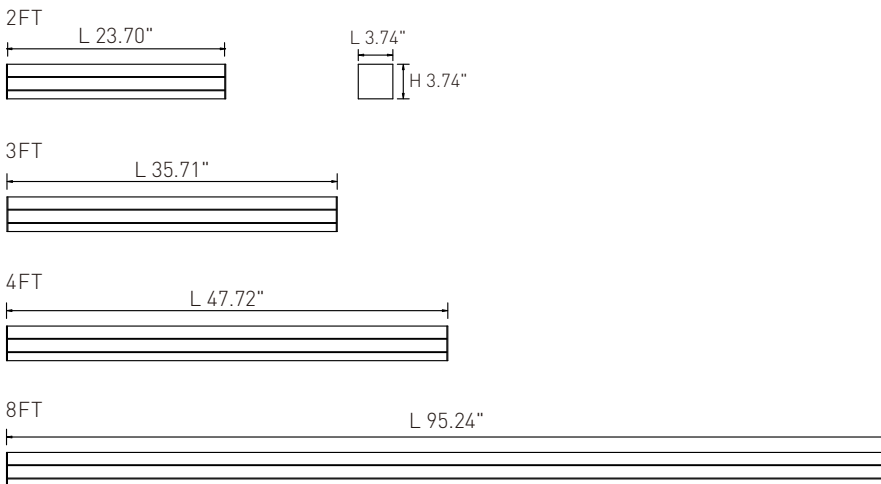
Spec-grade | Architectural LED Linear Lighting



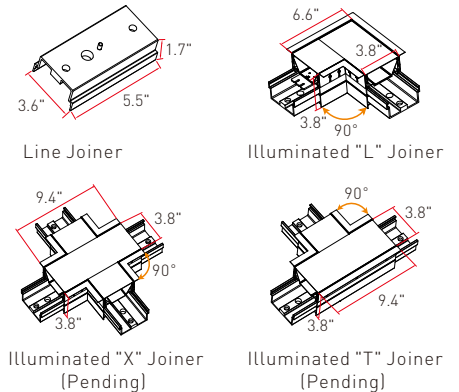
STANDARD CONTINUOUS RUNS IN 120V

Luminaire Run Length (ft)	Run Configuration	Line Joiner	5' Power Cable	Surface Plate
2	2'	-	1	1
4	4'	-	1	1
6	4'+2'	1	1	1
8	8'	-	1	1
10	8'+2'	1	1	1
12	8'+4'	1	1	1
14	8'+4'+2'	2	1	1
16	8'+8'	1	1	1
18	8'+8'+2'	2	1	1
20	8'+8'+4'	2	1	1
22	8'+8'+4'+2'	3	1	1
24	8'+8'+8'	2	1	1
26	8'+8'+8'+2'	3	1	1
28	8'+8'+8'+4'	3	1	1
30	8'+8'+8'+4'+2'	4	1	1
32	8'+8'+8'+8'	3	1	1
34	8'+8'+8'+8'+2'	4	1	1
36	8'+8'+8'+8'+4'	4	1	1
38	8'+8'+8'+8'+4'+2'	5	1	1
40	8'+8'+8'+8'+8'	4	1	1
42	8'+8'+8'+8'+8'+2'	5	2	2
44	8'+8'+8'+8'+8'+4'	5	2	2
46	8'+8'+8'+8'+8'+4'+2'	6	2	2
48	8'+8'+8'+8'+8'+8'	5	2	2

DIMENSIONS



JOINER OPTIONS



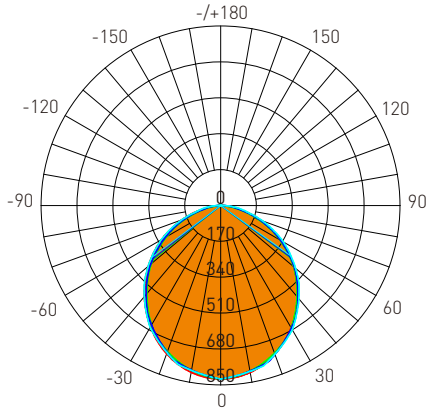
ZETA 3.8"-Surface Mount

Spec-grade | Architectural LED Linear Lighting



DISTRIBUTION DIAGRAM

2' / Flat Lens / 4000K / Down 100%



AVERAGE BEAM ANGLE(50%): 105.9°

Test Number: ZE-24-ITWDD
 Lumens: 2193.4 Lms
 Watts: 21.11 W
 LPW: 103.91 Lm/W
 CCT: 4000K

UNIT: cd
 - C0/180, 106.4°
 - C30/210, 104.4°
 - C60/240, 105.3°
 - C90/270, 107.4°

Zonal Flux Diagram

τ	C0	C45	C90	C135	C180
5	817.3	811.1	809.9	810.9	817.0
10	803.4	795.8	798.0	795.8	802.6
15	780.5	776.0	786.0	776.1	779.3
20	749.5	752.5	750.5	753.2	748.0
25	711.4	711.7	715.1	713.2	709.7
30	667.7	666.3	679.6	668.9	665.3
35	619.1	619.8	628.1	623.7	616.2
40	566.4	570.5	576.7	576.3	563.1
45	510.3	510.1	525.2	518.2	506.9
50	451.7	450.2	464.0	459.1	447.9
55	391.0	390.7	402.7	397.3	386.9
60	328.2	322.2	341.5	323.9	324.0
65	263.8	255.2	275.1	253.3	257.6
70	199.2	189.0	208.8	188.9	193.0
75	134.4	124.2	142.4	130.8	129.7
80	75.63	65.54	95.30	78.27	71.26
85	27.40	33.35	48.19	41.33	23.78
90	0.8496	2.096	1.089	5.570	2.628
95	3.072	2.046	1.129	3.500	0.2474
100	3.296	1.989	1.169	1.466	0.2848
105	3.440	1.985	1.210	1.233	0.3920
110	3.427	1.974	1.301	1.285	0.5227
115	3.347	2.028	1.393	1.308	0.6628
120	3.062	2.164	1.484	1.312	0.8120
125	356.5	225.4	134.4	221.7	357.3
130	2.071	2.393	1.699	1.659	1.083
135	1.419	2.347	1.807	1.962	1.204
140	1.429	2.165	1.844	2.292	1.340
145	1.527	2.093	1.881	2.470	1.452
150	1.611	2.074	1.919	2.365	1.550
155	1.695	1.961	1.922	2.271	1.648
160	1.755	1.888	1.925	2.084	1.727
165	1.816	1.895	1.928	1.926	1.802
170	1.825	1.887	1.906	1.891	1.867
175	1.863	1.875	1.884	1.878	1.956
180	1.863	1.863	1.863	1.863	1.956
DEG	LUMINOUS INTENSITY:cd				

Zonal Lumens

τ	φ total
0-5	19.49
5-10	76.95
10-15	170.2
15-20	295.7
20-25	448.1
25-30	621.9
30-35	811.1
35-40	1008
40-45	1028
45-50	1402
50-55	1585
55-60	1750
60-65	1892
65-70	2006
70-75	2089
75-80	2143
80-85	2173
85-90	2184
90-95	2185
95-100	2186
100-105	2186
105-110	2187
110-115	2187
115-120	2188
120-125	2189
125-130	2189
130-135	2190
135-140	2191
140-145	2191
145-150	2192
150-155	2192
155-160	2193
160-165	2193
165-170	2193
170-175	2193
175-180	2193
	UNIT: lm

Luminance cd/(m2)

G(DEG)	C0/180	C90/270
85	5516	9701
80	7641	9628
75	9107	9653
70	10216	10708
65	10953	11421
60	11517	11982
55	11960	12318
50	12328	12664
45	12660	13032

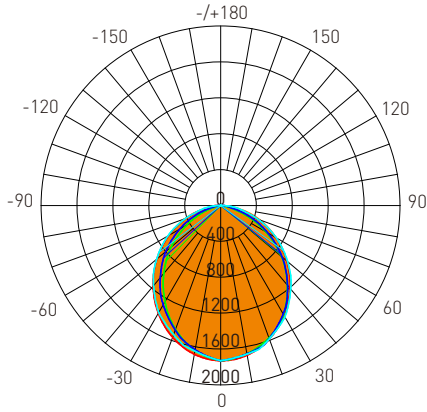
ZETA 3.8"-Surface Mount

Spec-grade | Architectural LED Linear Lighting



DISTRIBUTION DIAGRAM

4' / Flat Lens / 4000K / Down 100%



AVERAGE BEAM ANGLE(50%): 101.8°

Test Number: ZE-44-ITWDD
 Lumens: 4601.1 Lms
 Watts: 40.70 W
 LPW: 113.05 Lm/W
 CCT: 4000K

UNIT: cd
 — C0/180, 106.4°
 — C30/210, 95.4°
 — C60/240, 98.6°
 — C90/270, 107.0°

Zonal Flux Diagram

τ	C0	C45	C90	C135	C180
5	1722	1709	1706	1706	1717
10	1695	1677	1682	1675	1684
15	1649	1636	1658	1635	1633
20	1585	1586	1584	1590	1565
25	1506	1493	1510	1512	1484
30	1416	1387	1436	1427	1389
35	1314	1275	1326	1342	1285
40	1203	1156	1216	1249	1173
45	1086	1014	1106	1091	1054
50	963.8	871.8	975.9	918.6	929.4
55	836.5	728.6	845.3	758.1	800.3
60	704.6	572.0	714.7	619.5	667.5
65	569.8	418.6	575.4	499.1	532.1
70	433.8	276.3	436.2	396.8	395.5
75	299.2	151.4	296.9	306.5	259.8
80	173.5	46.97	199.3	221.0	138.4
85	67.17	24.98	101.7	141.2	42.14
90	4.654	5.485	4.104	62.49	68.39
95	1.536	5.339	4.131	35.95	0.5650
100	1.517	5.168	4.158	9.947	0.6159
105	1.447	4.856	4.186	6.647	0.8541
110	1.527	4.510	4.608	7.029	1.120
115	1.756	4.298	5.031	6.921	1.423
120	2.026	4.097	5.454	6.481	1.648
125	2.316	3.844	5.632	6.146	1.937
130	2.260	3.626	5.810	5.352	2.180
135	2.578	3.737	5.988	4.750	2.455
140	2.914	4.015	5.998	4.398	2.693
145	3.184	4.449	6.008	4.322	2.908
150	3.413	4.788	6.017	4.397	3.132
155	3.684	4.857	5.831	4.608	3.342
160	3.880	5.161	5.644	4.747	3.501
165	4.043	5.122	5.458	4.799	3.655
170	4.201	4.855	5.089	4.749	3.763
175	4.272	4.593	4.720	4.531	3.879
180	4.351	4.351	4.351	4.351	3.912
DEG	LUMINOUS INTENSITY:cd				

Zonal Lumens

τ	φ total
0-5	40.97
5-10	161.6
10-15	357.0
15-20	619.7
20-25	938.7
25-30	1303
30-35	1698
35-40	2111
40-45	2527
45-50	2930
50-55	3305
55-60	3641
60-65	3927
65-70	4157
70-75	4328
75-80	4445
80-85	4520
85-90	4561
90-95	4577
95-100	4583
100-105	4585
105-110	4587
110-115	4588
115-120	4590
120-125	4591
125-130	4593
130-135	4594
135-140	4595
140-145	4596
145-150	4599
150-155	4993
155-160	4599
160-165	4600
165-170	4601
170-175	4601
175-180	4601
	UNIT: lm

Luminance cd/(m2)

G(DEG)	C0/180	C90/270
85	6701	10147
80	8688	9980
75	10052	9975
70	11029	11089
65	11724	11840
60	12254	12430
55	12681	12815
50	13038	13202
45	13358	13607