

# ZETA 1.8"-Pendant

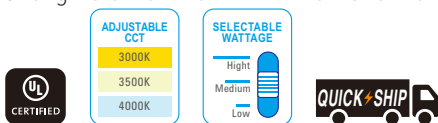
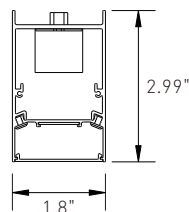
Spec-grade | Architectural LED Linear Lighting



Combining superior esthetics, quality performance and unparalleled versatility, Zeta 1.8" series offers new opportunities to capture the beauty and benefits of true lighting. With a maximum output of 1200 lm/ft and a choice of various lengths, Zeta is capable of delivering the light levels needed for the most demanding applications by CCT adjustable and wattage selectable functions, compatible for dry ceiling and drop ceiling. While simple in appearance.

## Feature

- 2 lighting distribution by dip switch
- CCT adjustable and wattage selectable
- Up to 1200 lm/ft
- Continuous runs or Custom pattern
- Pendant (Surface mounted available)
- 3 lengths & 1.8" width with internal driver



## PERFORMANCE

Finish	Length	Wattage Selectable	Lumen (25% up / 75% down)			Lumen (100% down)			Efficacy
			3000K	3500K	4000K	3000K	3500K	4000K	
White	2'	20W/15W/10W	1120~2240lm	1220~2440lm	1170~2340lm	1050~2100lm	1150~2300lm	1100~2200lm	580~1170 lm/ft
	4'	40W/30W/20W	2240~4480lm	2440~4880lm	2340~4680lm	2100~4200lm	2300~4600lm	2200~4400lm	
	8'	80W/60W/40W	4480~8960lm	4880~9760lm	4680~9360lm	4200~8400lm	4600~9200lm	4400~8800lm	
Black	2'	20W/15W/10W	920~1840lm	1020~2040lm	970~1940lm	850~1700lm	950~1900lm	900~1800lm	480~970 lm/ft
	4'	40W/30W/20W	1840~3680lm	2040~4080lm	1940~3880lm	1700~3400lm	1900~3800lm	1800~3600lm	
	8'	80W/60W/40W	3680~7360lm	4080~8160lm	3880~7760lm	3400~6800lm	3800~7600lm	3600~7200lm	

\* Check the IES file to gain the accurate data.

# ZETA 1.8"-Pendant

Spec-grade | Architectural LED Linear Lighting



## STRUCTURE

### ► Finish

Extruded aluminum housing with powder coat white, black or custom.

### ► Electrical

Mini Internal LED Driver	It is powered by Class 2 high efficiency LED driver, with a standard 1-10V dimming which continuous dims to 10% that works with many types of controls. Tested Dimmers: Lutron® Diva-Dvtv, Leviton® IP-710-DL.
Wattage Adjustable	2' : 20w, 15w, 10w 4' : 40w, 30w, 20w 8' : 80w, 60w, 40w
THD	<20%
Power Factor	>0.9
Input Voltage	Standard electronic drivers are UL recognized and available for 120-277V input voltage.

### ► LED System

CRI	Minimum 80 color rendering index
CCT	CCT adjustable from 3000K, 3500K and 4000K with a great color consistency.
Environment	damp rated for ambient operating temperature of -20°C to +40°C (-4° to +104°F)

### ► Mounting

- Pendant-Dry ceiling or T-Grid ceiling compatible.
- Cable lengths of 5ft is standard, 12ft or others are available.
- Individual or continuous run, up to 40ft in 120VAC, 100ft in 277VAC.
- Custom Pattern with optional Line, L, T, X, V, and Y joiners.

### ► Approvals

- cULus listed, suitable for damp locations
- Designed for indoor use only
- 5 years limited warranty

## PRODUCT ORDERING GUIDE

Default Settings :Maximum wattage, 4000K and 100% down.

### Sample

Z	E	-	4	3	-	I	T	W	A	D
1	2	3	4	5	6	7				
<input checked="" type="checkbox"/>	<input type="checkbox"/>	<input type="checkbox"/>	<input checked="" type="checkbox"/>	<input type="checkbox"/>	<input type="checkbox"/>	<input checked="" type="checkbox"/>	<input type="checkbox"/>	<input type="checkbox"/>	<input type="checkbox"/>	<input type="checkbox"/>
ZE			3			I	TW		A	D
1	2	3	4	5	6	7				

### 1. Base Model

ZE ZETA

### 2. Length

2 2 feet  4 4 feet  8 8 feet

### 3. Width

3 1.8inch

### 4. Driver

I Internal

### 5. CCT

TW CCT Adjustable By Dip Switch (3000K,3500K,4000K)

### 6. Light Distribution

A 2 Lighting Distribution By Dip Switch  
25%Up/75% Down,100% Down

### 7. Optics Options

D Diffuser

## OPTIONAL ORDERING GUIDE

### Ceiling Type

- Dry Wall (Mount to J-box)
- Drop Ceiling Clips (Suitable for 9/16" and 15/16" Flat Ceiling)
- Drop Ceiling Clips (Suitable for 9/16" Slot Ceiling)
- Drop Ceiling Clips (Suitable for 15/16" Slot Ceiling) \*

### Power Cord Length And Aircraftcable

- 5 ft white power cord + 5ft aircraft cable
- 5 ft black power cord + 5ft aircraft cable
- 12 ft white power cord + 12ft aircraft cable
- 12 ft black power cord + 12ft aircraft cable

### Canopy

Finish:  White  Black  
Type:  1.6" Round  4.5" Round (Designed for power cable)  
 1.6" Square  4.5" Square (Designed for power cable)  
 5.8" Round With Occupancy Sensor (Power Feed)

### Joiner

- "—" pattern  Rolling Diffuser (42")  "X" pattern
- "T" pattern  "L" pattern  "V" pattern \*
- "Y" pattern \*

### Optional Functions

- LED Emergency Driver (Order Separated)
- Occupancy Sensor (Order Separated)

\*Additional cost and/or lead time on customized fixtures may apply.  
Some fixtures require an MOQ. Please contact your sales rep for more information.

# ZETA 1.8"-Pendant

Spec-grade | Architectural LED Linear Lighting



## MOUNTING

### Canopy Style



1.6" Round  
(Non Power Feed)

4.5" Round  
(Power Feed)

4.5" Round With  
Emergency Driver  
(Non Power Feed)

5.8" Round With  
Occupancy Sensor  
(Power Feed)

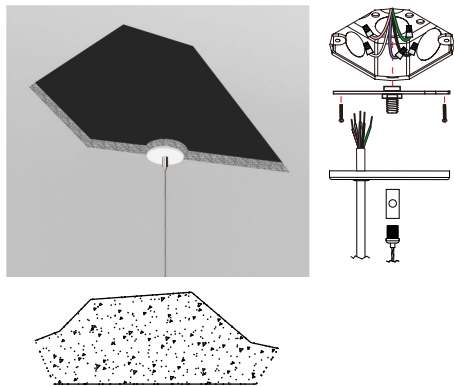
1.6" Square  
(Non Power Feed)

4.5" Square  
(Power Feed)

4.5" Square With  
Emergency Driver  
(Non Power Feed)

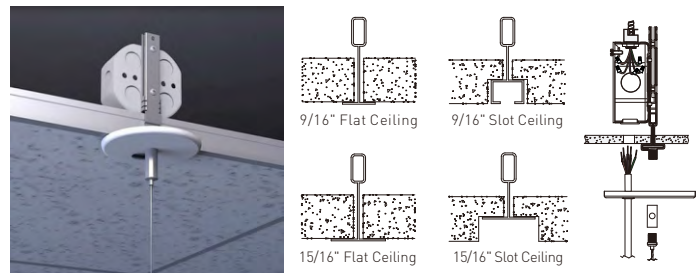
### Dry Ceiling / Off Grid

"Various Hard Ceilings" (Mount to J-box)



### Drop Ceiling / On Grid

Suspending the luminaire in the T-grid. Compatible for various T-grid, including 9/16" Flat, 9/16" Slot, 15/16" Flat.



\*Please see the installation instruction for more details.

### Pendant Accessories For Dry Ceiling

#### Canopy Kits



#### Power Cord Kits



#### Aircraft Cable Kits

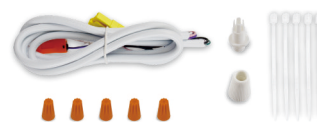


### Pendant Accessories For Drop Ceiling

#### Canopy Kits



#### Power Cord Kits



#### T-grid Clips



#### Junction Box



#### Aircraft Cable Kits



# ZETA 1.8"-Pendant

Spec-grade | Architectural LED Linear Lighting

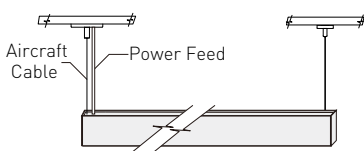


## Standard Line Runs In 120v

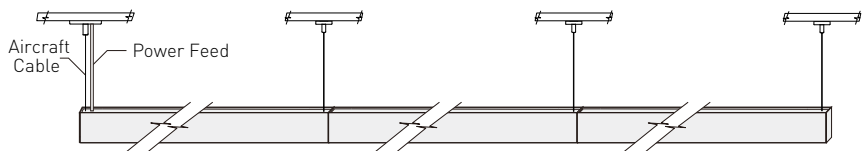
Luminaire Run Length (ft)	Run Configuration	Line Joiner	5' Power Cable	5' Aircraft Cable	Canopy
2	2'	-	1	2	2
4	4'	-	1	2	2
6	4'+2'	1	1	3	3
8	8'	-	1	2	2
10	8'+2'	1	1	3	3
12	8'+4'	1	1	3	3
14	8'+4'+2'	2	1	4	4
16	8'+8'	1	1	3	3
18	8'+8'+2'	2	1	4	4
20	8'+8'+4'	2	1	4	4
22	8'+8'+4'+2'	3	1	5	5
24	8'+8'+8'	2	1	4	4
26	8'+8'+8'+2'	3	1	5	5
28	8'+8'+8'+4'	3	1	5	5
30	8'+8'+8'+4'+2'	4	1	6	6
32	8'+8'+8'+8'	3	1	5	5
34	8'+8'+8'+8'+2'	4	1	6	6
36	8'+8'+8'+8'+4'	4	1	6	6
38	8'+8'+8'+8'+4'+2'	5	1	7	7
40	8'+8'+8'+8'+8'	4	1	6	6
42	8'+8'+8'+8'+8'+2'	5	2	7	7

Note: 4.5" canopy is designed for power cable

### Individual

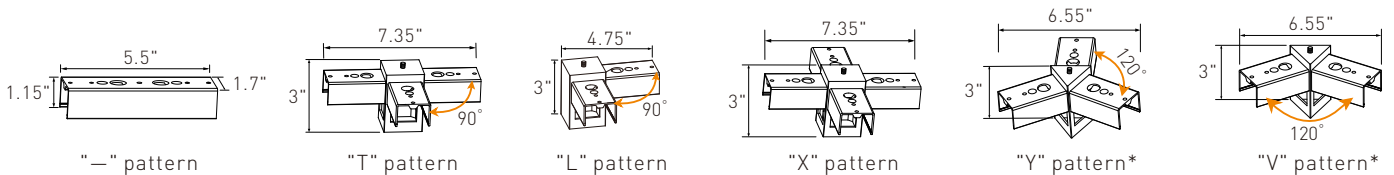


### Continuous Run

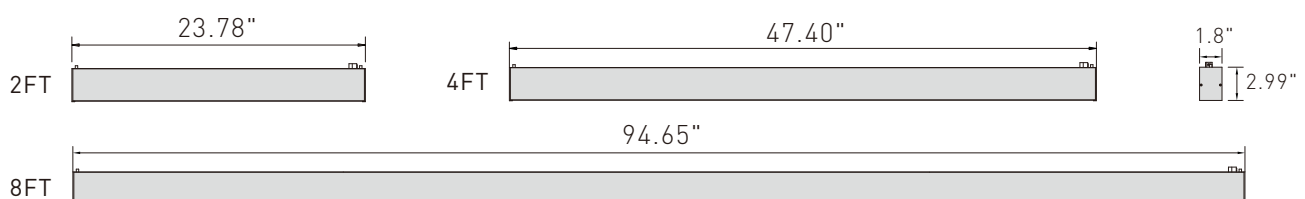


120VAC: connections up to 40ft.  
277VAC: connections up to 100ft.

### Custom Pattern With Joiners



### DIMENSIONS



# ZETA 1.8"-Pendant

Spec-grade | Architectural LED Linear Lighting



## OPTIONAL FUNCTION

### ► Emergency Option

OKT Lighting offers UL & CEC Listed LED emergency drivers. When AC power fails it, immediately switches to the emergency mode operating for lighting minimum 90 minutes. When AC power is restored it, automatically returns to the charging mode which meets critical life-safety lighting requirements.



### Order Separated LED emergency driver

Optional 8w or 25w high voltage LED emergency driver can be provided if you need and do it wiring in field. For more info or spec sheet please visit our website or contact sales.



### Code-Required Testing

#### • Initial Self-Test After Installation

It will perform a functional test in 3 seconds after the driver installed to check the wiring and battery output when work. The indicator LED will be off or flicker in case of a failure or an error.

#### • Second Self-Test In 120 Minutes

It will perform second test in 120 minutes to check again. Upgrade in Gen 3: Repeat 4 times in every 120 minutes if fail in the second test.

#### • Monthly Self-Test

It will automatically perform a test every 30 days with a duration of 3 seconds, in which the wiring and battery output are checked. In case of a failure or an error, the indicator LED will be off or flicker.

### ► Occupancy Sensor



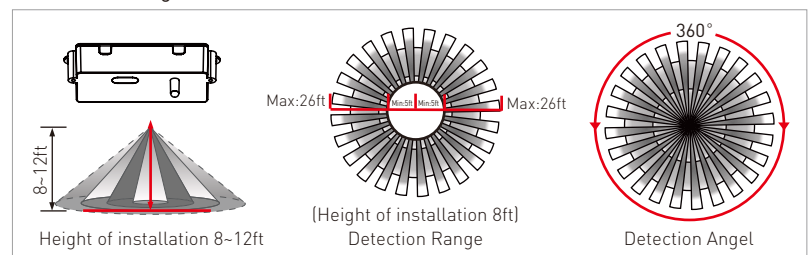
We can provide a factory-installed integrated sensor system for multi-level control based on motion and/or daylight contribution with BRI810-B-D level & daylight harvest microwave sensor from SHARKWARD. For more info or spec sheet, please contact sales.



### Specification

Power Supply	120/277 VAC 50/60Hz
Maximum load (@-40°F~+158°F (-40°C~+70°C))	Resistive/ Tungsten-600W@120V Electronic Ballast(LED)-800VA@120V/1200VA@277V
HF System	5.8GHz CW
Dim Control Output	0-10V, max.25mA sinking current
Detection Radius/angle	Max 26ft.(8m)/360
Mounting Height	Max 12ft
Humidity	Max.95% RH
Temperature	-40°F~+158°F (-40°C~+70°C)

### Sensor Coverage



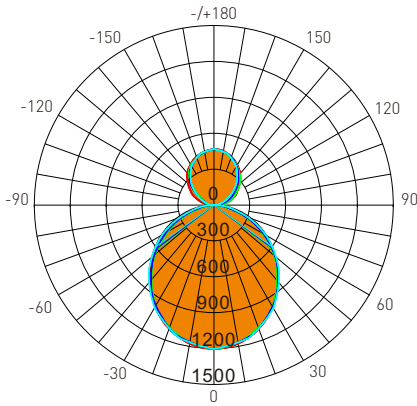
# ZETA 1.8"-Pendant

Spec-grade | Architectural LED Linear Lighting



## DISTRIBUTION DIAGRAM

4' / Diffuser/25% Up,75% Down/3000K



AVERAGE BEAM ANGLE(50%): 107.0°

Lumens: 4463.53 Lm  
Watts: 40 W  
LPW: 117.05 Lm/W  
CCT: 3000K

UNIT: cd  
— C0/180, 107.8°  
— C30/210, 105.0°  
— C60/240, 106.3°  
— C90/270, 108.7°

### Zonal Flux Diagram

τ	C0	C45	C90	C135	C180
5	1196	1186	1184	1186	1196
10	1176	1163	1166	1164	1176
15	1144	1134	1147	1137	1144
20	1100	1099	1096	1105	1101
25	1046	1040	1045	1049	1047
30	983.8	974.0	994.5	987.2	983.9
35	913.6	905.7	919.2	923.9	913.6
40	836.9	833.7	844.0	846.3	838.4
45	755.3	746.1	768.7	768.4	756.8
50	669.2	659.0	679.5	679.5	671.7
55	579.4	572.1	590.3	590.3	582.0
60	486.8	469.5	501.1	501.1	489.7
65	391.2	368.8	402.2	402.2	394.7
70	294.2	268.6	303.3	303.3	298.3
75	198.5	168.9	204.3	204.3	200.2
80	106.8	81.23	136.7	136.7	108.9
85	33.35	48.53	69.09	69.09	21.01
90	2.077	17.62	1.475	1.475	4.643
95	37.89	55.62	20.43	20.43	9.619
100	85.15	92.66	39.39	39.39	50.11
105	132.6	120.2	58.34	58.34	99.92
110	171.1	146.7	90.93	90.93	147.2
115	203.4	175.7	123.5	123.5	192.7
120	225.3	208.1	156.1	156.1	222.0
125	250.5	242.3	193.6	193.6	250.6
130	281.2	271.9	231.1	231.1	282.4
135	315.0	300.8	268.6	268.6	317.3
140	344.3	330.5	303.8	303.8	349.4
145	366.5	355.0	339.1	339.1	372.3
150	386.3	378.6	374.4	374.4	392.5
155	406.6	404.4	398.0	398.0	411.0
160	426.0	428.6	421.5	421.5	427.1
165	445.1	443.3	445.1	445.1	441.9
170	460.3	455.2	453.3	453.3	453.6
175	468.6	463.9	461.4	461.4	463.9
180	469.5	469.5	469.5	469.5	468.2
DEG	LUMINOUS INTENSITY:cd				

### Zonal Lumens

τ	φ total
0-5	28.52
5-10	112.6
10-15	249.2
15-20	433.4
20-25	657.5
25-30	913.6
30-35	1193
35-40	1485
40-45	1778
45-50	2062
50-55	2327
55-60	2564
60-65	2768
65-70	2933
70-75	3055
75-80	3155
80-85	2975
85-90	2989
90-95	2993
95-100	3232
100-105	3271
105-110	3326
110-115	3394
115-120	3474
120-125	3565
125-130	3667
130-135	3777
135-140	3890
140-145	4003
145-150	4111
150-155	4209
155-160	4296
160-165	4367
165-170	4420
170-175	4452
175-180	4464
UNIT: lm	

### Luminance cd/(m2)

G( DEG)	C0/180	C90/270
85	7220	14957
80	11609	14854
75	14471	14895
70	16230	16730
65	17465	17956
60	18369	18911
55	19060	19419
50	19643	19946
45	20155	20511



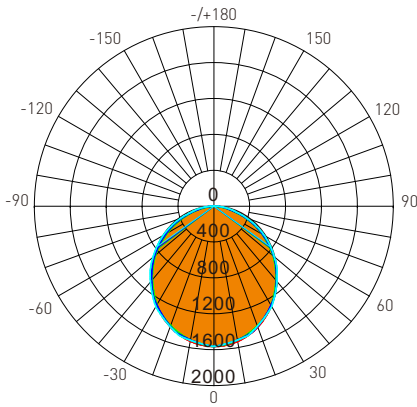
# ZETA 1.8"-Pendant

Spec-grade | Architectural LED Linear Lighting



## DISTRIBUTION DIAGRAM

4' / Diffuser/100% Down/3000K



Lumens: 4175.42 Lm  
Watts: 40 W  
LPW: 107.97 Lm/W  
CCT: 3000K

UNIT: cd  
— C0/180, 107.7°  
— C30/210, 105.9°  
— C60/240, 107.1°  
— C90/270, 108.9°

### Zonal Flux Diagram

τ	C0	C45	C90	C135	C180
5	1556	1543	1539	1542	1555
10	1532	1513	1514	1513	1528
15	1490	1475	1490	1475	1487
20	1433	1430	1423	1432	1429
25	1363	1353	1356	1359	1360
30	1282	1268	1290	1277	1277
35	1190	1180	1192	1194	1186
40	1090	1086	1095	1093	1087
45	984.1	972.8	997.1	903.1	982.0
50	871.7	859.5	880.8	717.3	870.4
55	756.0	747.0	764.5	563.3	753.9
60	634.8	616.5	648.3	465.0	633.8
65	510.5	488.9	519.9	373.3	510.2
70	384.1	361.7	391.5	283.0	384.4
75	259.5	235.0	263.1	194.8	257.1
80	141.1	120.8	176.0	115.2	139.2
85	43.64	60.87	88.86	59.69	25.85
90	0.7283	2.885	1.718	5.544	3.443
95	1.779	2.816	1.973	4.765	0.5225
100	1.956	2.742	2.228	4.015	0.7466
105	2.181	2.862	2.483	4.599	1.017
110	2.418	2.997	2.832	5.326	1.321
115	2.619	3.078	3.181	5.658	1.638
120	2.871	3.146	3.530	5.661	1.941
125	3.091	3.239	3.785	5.580	2.264
130	3.306	3.442	4.039	5.066	2.544
135	3.530	3.716	4.294	4.649	2.810
140	3.712	4.043	4.347	4.380	3.043
145	3.880	4.233	4.400	4.376	3.277
150	4.029	4.362	4.453	4.417	3.557
155	4.127	4.466	4.439	4.556	3.795
160	4.230	4.512	4.426	4.705	3.991
165	4.318	4.405	4.412	4.765	4.164
170	4.318	4.354	4.374	4.534	4.290
175	4.248	4.286	4.337	4.390	4.397
180	4.300	4.300	4.300	4.300	4.458
DEG	LUMINOUS INTENSITY:cd				

### Zonal Lumens

τ	φ total
0-5	37.10
5-10	146.5
10-15	324.3
15-20	563.8
20-25	855.4
25-30	1189
30-35	1552
35-40	1932
40-45	2314
45-50	2684
50-55	3028
55-60	3337
60-65	3603
65-70	3818
70-75	3977
75-80	4081
80-85	4138
85-90	4157
90-95	4158
95-100	4159
100-105	4160
105-110	4162
110-115	4163
115-120	4164
120-125	4166
125-130	4167
130-135	4168
135-140	4170
140-145	4171
145-150	4172
150-155	4173
155-160	4174
160-165	4174
165-170	4175
170-175	4175
175-180	4175
	UNIT: lm

### Luminance cd/(m2)

G(DEG)	C0/180	C90/270
85	9446	19236
80	15327	19123
75	18920	19183
70	21187	21598
65	22791	23210
60	23954	24462
55	24868	25149
50	25588	25854
45	26258	26605