

EMERGENCY LED DRIVER-GEN 3



CEC Compliance
California Energy Commission
Title 20 efficiency standards



Emergency Lighting Is Code Required

Emergency lighting is a vital part of a facility's life safety program. Local, state and national building codes require reliable and sufficient emergency illumination for commercial, industrial and institutional buildings in the United States. When normal power fails for any reason, emergency lighting provides critical illumination. It helps to guide building occupants along the path of egress to the nearest exit.



WHY OKT?

Experienced

OKT emergency drivers have been handling any lighting outage since 2013. And now, they have been upgraded to Gen 3 in 2020.

Reliable

Annual sales are more than 100,000PCS. We made many projects all over in the United State, including office building, shopping mall, school, hospital, hotel, etc.

Wide Compatibility

We vertically upgrade our product line to Gen2, and now Gen3. These emergency drivers can work with most LED luminaries up to 300W.

Innovation

We constantly review our existing product line and apply the most updated technologies to ensure product competitive advantage.

No Delays When Power Fails!

A simple equation for LED Product

UP TO 300W LED

Product Highlight

- 2 versions to match your LED products –
 - ▶ Low voltage 8W, 25W
 - ▶ High voltage 8W, 25W
- AC and emergency operation in one compact low-profile case fewer wires to help simplify installation
- Designed with high-quality Lithium battery, provide up to 120 minutes when power fails
- Damp locations rated
- Pre-install service available
- 5-Year Limited Warranty
- QuickShip 3-7 days within North America
- UL and CEC Listed, field-installable
- Compatible for most LED products



Operation

EM Series will immediately switches to the emergency mode, operating for a minimum of 90 minutes. When AC power is restored, the emergency driver then will automatically returns to the charging mode.

WHAT UPGRADED?

More Powerful, More Versatile, More Economical

1 Slimmer

Pack-8W | **Gen 2** L14.80"xW 2.13"xH 1.38"
Gen 3 L10.64"xW1.98"xH1.32"

Pack-25W | **Gen 2** L 17.14"xW 2.13"× H 1.57"
Gen 3 L15.4"xW2.13"xH1.57"

Split-8W | **Gen 2** Driver: L10.63"xW1.93"xH1.2", Battery: L4.25"xW2.13"xH1.34"
Gen 3 Driver: L5.08"xW2.05"xH0.99", Battery: L3.47"xW2.33"xH0.97"

2 More Compatible

Unrivaled emergency solution for any up to 300W LED luminaire

3

CEC Certified



CEC Compliance
 California Energy Commission
 Title 20 efficiency standards



4

More Reliable Self-Testing

Repeat 4 times in every 120 minutes if fail in the second test.

5

More Economical

Simplify design to make cost down

Multiple Mounting Configurations

OKT emergency LED drivers work in conjunction with LED fixtures to serve as code-compliant emergency lighting sources. The emergency drivers can be installed inside, on top of, or remotely from the fixture, depending on the product, fixture and application.

- **Dual Flex (Standard)**

Provides dual flex for wiring to both the fixture or driver compartment and test accessories.



- **Single Flex (Optional)**

Mounts to the junction box and provides flexible conduit for remote mounting of the test accessories.



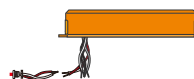
- **Integral Non-Flex (Optional)**

Allows for integral installation within the driver compartment. May also be mounted atop the fixture when used with a TMK cover accessory.



- **Top-Mount Non-Flex (Optional)**

Top-mounting option for running wires directly into the driver compartment. Test accessories are then installed within the fixture.





Code-Required Testing

More secure, more rigorous than the standard requirements.

- **Initial Self-Test After Installation**

It will perform a functional test in 3 seconds after the driver installed to check the wiring and battery output when work. The indicator LED will be off or flicker in case of a failure or an error.

- **Second Self-Test In 120 Minutes**

It will perform second test in 120 minutes to check again.
Upgrade in Gen 3: Repeat 4 times in every 120 minutes if fail in the second test.

- **Monthly Self-Test**

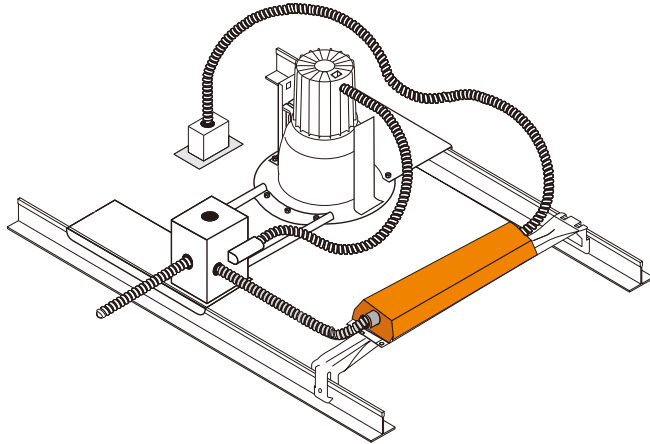
It will automatically perform a test every 30 days with a duration of 3 seconds, in which the wiring and battery output are checked. In case of a failure or an error, the indicator LED will be off or flicker.

LED Emergency Driver For Field Installation

OKT offers UL& CEC Listed and field-installable emergency LED drivers. All of the OKT LED driver portfolio is UL listed for installation in the field.

Benefits:

- ✓ Eliminate factory installed up charges.
- ✓ Eliminate the legwork involved in the field-install process associated with UL Classified emergency LED drivers.



City and State often has building codes that Emergency backup (EM) work with a wide range of lighting applications.





Full Ranges

Choosing the appropriate emergency driver solution starts with your luminaires.

Version	Pack - Low Voltage 	Pack - High Voltage 	Split - Low Voltage 
Output Power	8W,25W	8W,25W	8W
Application	Power of LED Fixture (300W max) ≥ Power of emergency driver	Compatible for any 1~200W LED luminaire with 0-10V dimming	Power of LED Fixture (100W max) ≥ Power of emergency driver
Benefit	Easier wiring	More compatible, lower your stock risk	More flexible, ideally to install in a narrow profile housing or limited compartment space

High Voltage - 8W



Situation 1) LED Luminaire Without 0-10V dimming function

- EM-H08170- Compatible for ≤8W LED luminaire with internal driver.
- EM-H25170- Compatible for ≤25W LED luminaire with internal driver.

Situation 2) LED Luminaire With 0-10V dimming function

- Minimum Dim-down Power ≤ Output Power of LED emergency driver.
- Recommended Compatibility:
EM-H08170- Compatible for up to 60w LED luminaire with 0-10v dimming.
EM-H25170- Compatible for up to 200w LED luminaire with 0-10v dimming.

EM-H08170-LBF

Output Power

8 Watts

Output Voltage

170V DC

Input Current

70 mA (Max)

Input Power

3.2 Watts (Max)

Input Voltage

100-277VAC, 50-60Hz

Emergency Operation

≥90 Minutes

Standby Power

< 0.4W

Operating Temp

0°C to 50°C

Battery

Lithium

Recharge

24 Hrs

Compatible LED Luminaire

60W (Max)

Dimensions

L12.76"×W2.13"×H1.57"

Certificate

UL , CEC

High Voltage - 25W



EM-H25170-LBF

Output Power

25 Watts

Output Voltage

170V DC

Input Current

110 mA (Max)

Input Power

6 Watts (Max)

Input Voltage

100-277VAC, 50-60Hz

Emergency Operation

≥90 Minutes

Standby Power

< 0.4W

Operating Temp

0°C to 50°C

Battery

Lithium

Recharge

36 Hrs

Compatible LED Luminaire

200W (Max)

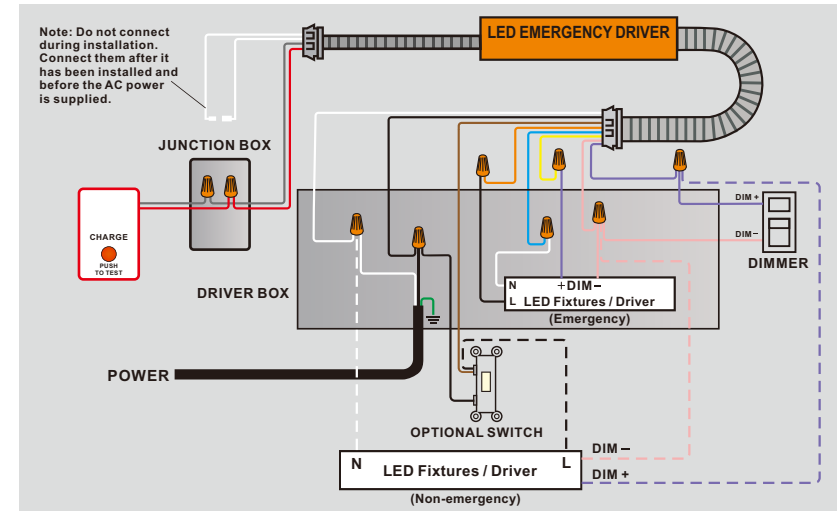
Dimensions

L15.4"×W2.13"×H1.57"

Certificate

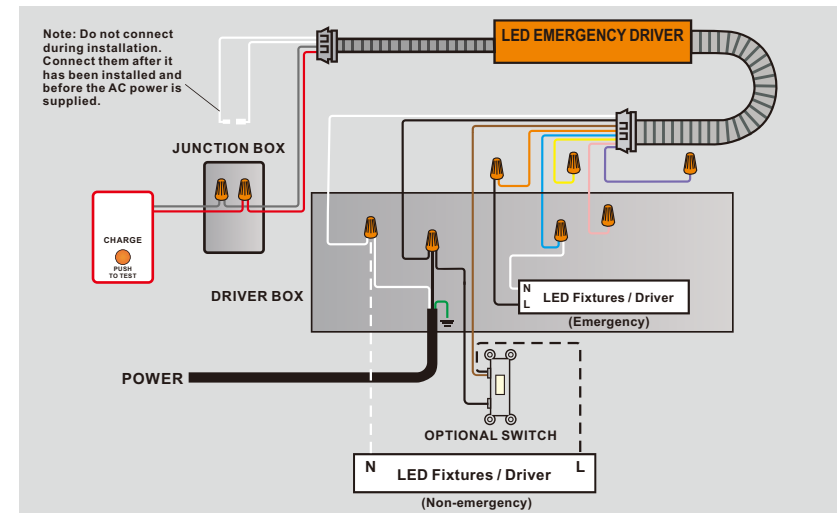
UL , CEC

Wiring Diagram



High Voltage - 8W/25W

Power of luminaire with 0-10V dimming > Power of emergency driver.



High Voltage - 8W/25W

Power of luminaire ≤ Power of emergency driver.

Pack-Low Voltage - 8W



Note:

- Low voltage emergency driver is suitable to backup the led fixtures that driver's output is able to do wiring.
- Power of LED fixture (Max 100W) ≥ Power of emergency driver
- LED Driver Output Current: 5A Max

EM-L0854-LBF

Output Power

8 Watts

Output Voltage

15-54V DC

Input Current

70 mA (Max)

Input Power

3.2 Watts (Max)

Input Voltage

100-277VAC, 50-60Hz

Emergency Operation

≥90 Minutes

Standby Power

< 0.4W

Operating Temp

0°C to 50°C

Battery

Lithium

Recharge

24 Hrs

Compatible LED Luminaire

100W (Max)

Dimensions

L10.64"×W1.98"×H1.32"

Certificate

UL , CEC

Output Class

UL LELV (Output protection self-resetting)

Pack-Low Voltage - 25W



Note:

- Low voltage emergency driver is suitable to backup the led fixtures that driver's output is able to do wiring.
- Power of LED fixture (Max 300W) ≥ Power of emergency driver.

EM-L2554-LBF

Output Power

25 Watts

Output Voltage

18-54V DC

Input Current

110 mA (Max)

Input Power

6 Watts (Max)

Input Voltage

100-277VAC, 50-60Hz

Emergency Operation

≥90 Minutes

Standby Power

< 0.4W

Operating Temp

0°C to 50°C

Battery

Lithium

Recharge

36 Hrs

Compatible LED Luminaire

300W (Max)

Dimensions

L15.4"×W2.13"×H1.57"

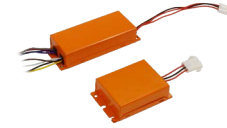
Certificate

UL , CEC

Output Class

UL LELV (Output protection self-resetting)

Split - Low Voltage - 8W



Note:

- Low voltage emergency driver is suitable to backup the led fixtures that driver's output is able to do wiring.
- Power of LED fixture ≥ Power of emergency driver
- LED Driver Output Current: 5A Max

EM-S0854-LBN

Output Power

8 Watts

Output Voltage

15-54V DC

Input Current

70 mA (Max)

Input Power

3.2 Watts (Max)

Input Voltage

100-277VAC, 50-60Hz

Emergency Operation

≥90 Minutes

Standby Power

< 0.4W

Operating Temp

0°C to 50°C

Battery

Lithium

Recharge

24 Hrs

Compatible LED Luminaire

100W (Max)

Dimensions

Control Board: L5.08"×W2.05"×H0.99",
Battery Pack: L3.47"×W2.33"×H0.97"

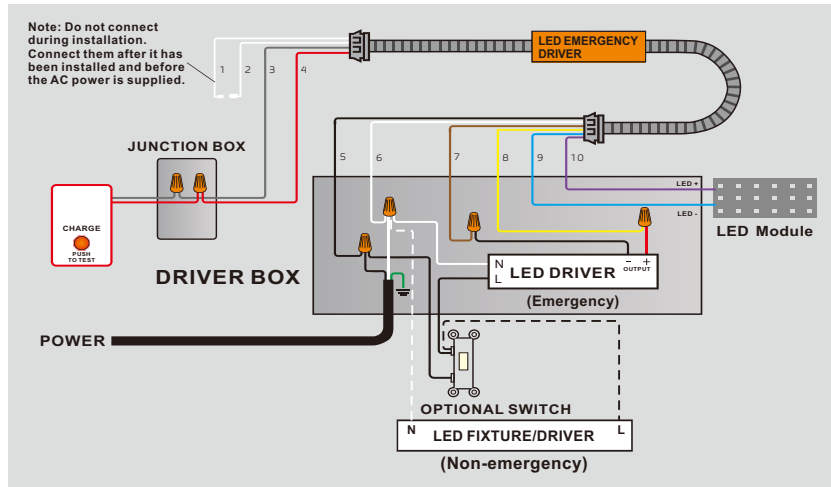
Certificate

UL , CEC

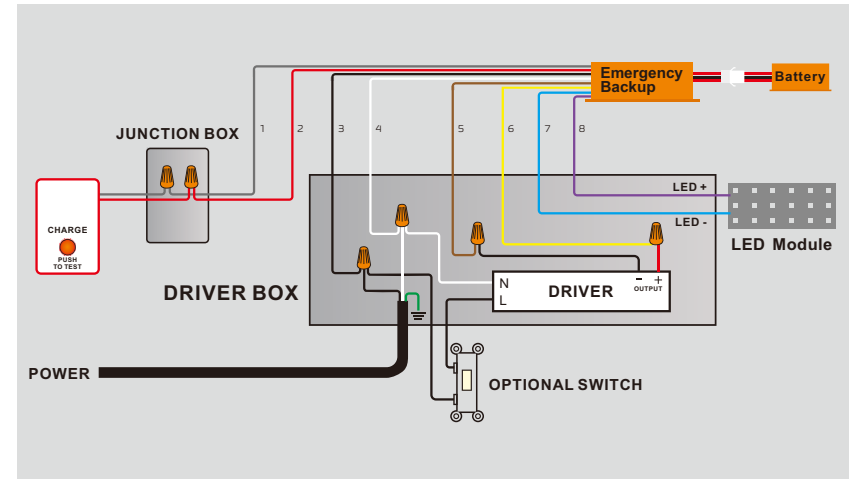
Output Class

UL LELV (Output protection self-resetting)

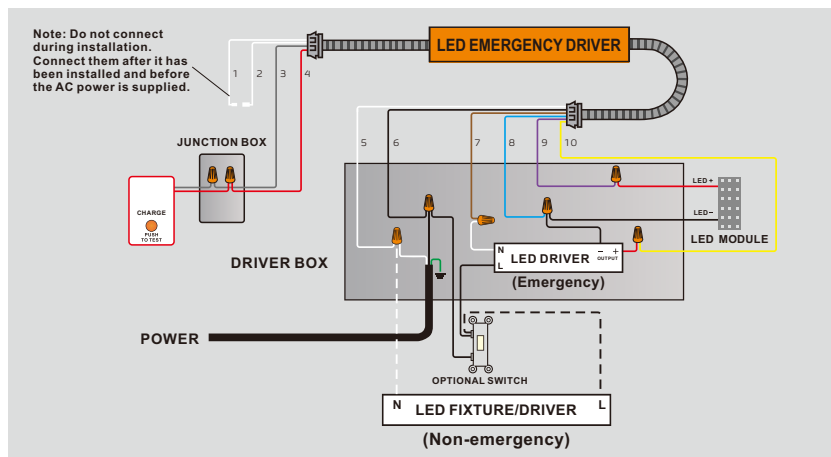
Pack - Low Voltage - 8W



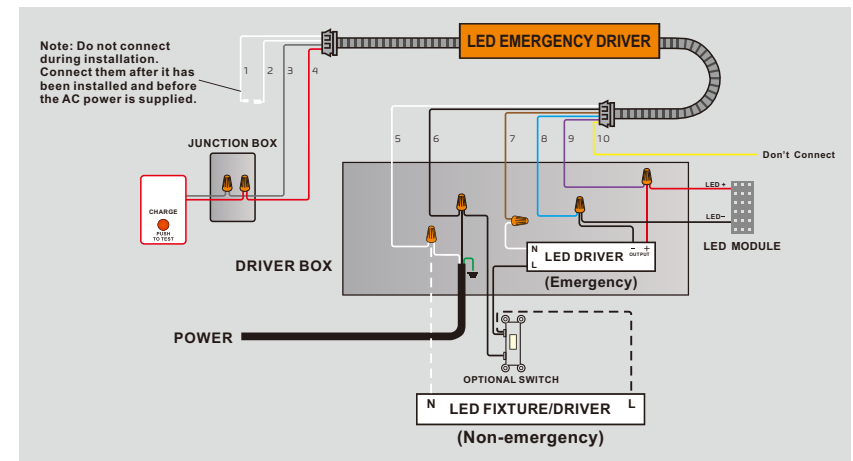
Split - Low Voltage - 8W



Pack - Low Voltage - 25W



For LED luminaires less than 100W Current Of Yellow Wire: 4A(Max)



For LED luminaires over 100W

Optional Accessories



Optional Indicator



Standard

Fix the indicator light on to the ceiling with nut, suitable for all mounting configurations.



Recessed

Install the indicator light to the opening hole and fix it and j-box onto the ceiling with the nut, suitable for led emergency driver with dual flex.

Optional Install Kit

T-Grid Hanger

It is safer to mount the LED emergency driver on the T-grid ceiling.

