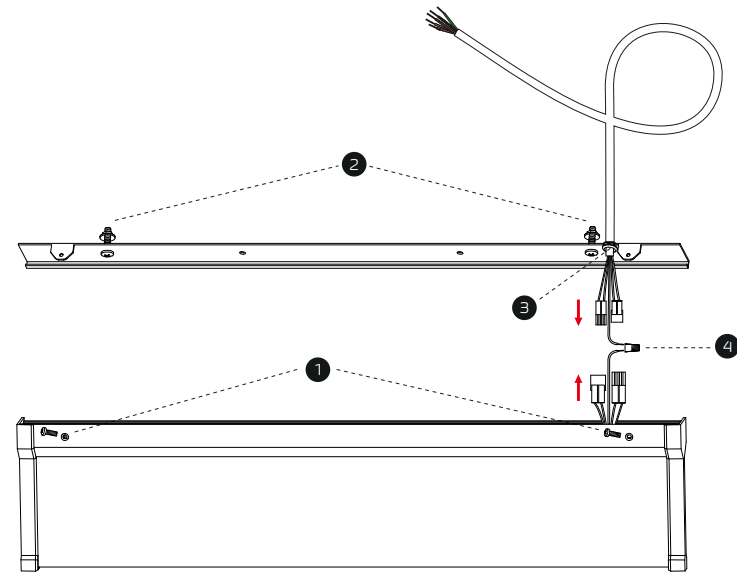
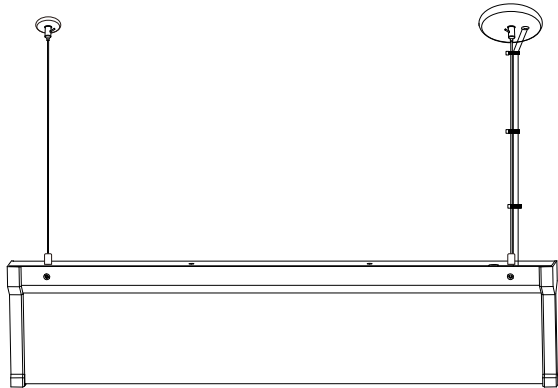


VERTICAL PENDANT LED

ARCHITECTURAL LED LUMINAIRE INSTALLATION INSTRUCTION

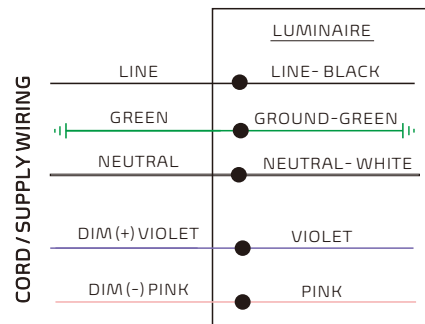
⚠ RISK OF FIRE AND ELECTRICAL SHOCK. FIXTURE MUST BE INSTALLED BY A QUALIFIED ELECTRICIAN ONLY IN ACCORDANCE WITH NATIONAL, LOCAL BUILDING AND ELECTRICAL CODES. DISCONNECT POWER AT ELECTRICAL PANEL BEFORE SERVICING.



IMPORTANT

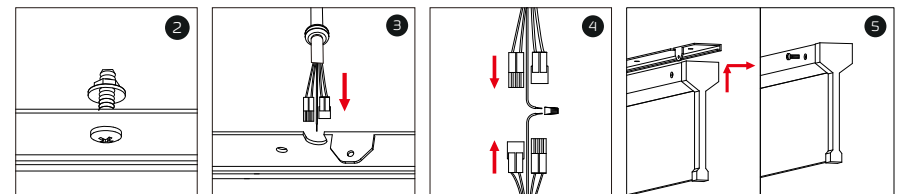
1. Read all instructions.
2. Please Install in accordance with national and local electrical code regulations.
3. This product is intended to be installed and serviced by a qualified, licensed electrician.
4. No wet locations! dry and damp locations only!
5. Turn off electrical power before installing or servicing fixture in any way.
6. To reduce the risk of fire and overheating, make sure all connections are tight.
7. Under no circumstances can the lighting fixture be covered with heat insulation gasket or similar materials.

WIRING



⚠ Please isolate two dimming wires by P2 terminal individually if no need dimming; **MUST connect wires with corresponding colors as shown.**

⚡ SHOCK HAZARD!
May result in serious injury or death. Turn power OFF at circuit breaker prior to installation or servicing.

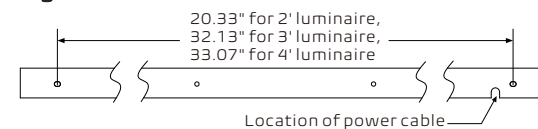


PLEASE FOLLOW THESE STEPS

1. Take off the cover by screwdriver. (Please noted that there are screws&screwnuts inside the luminaire).
2. Assemble the screws&screwnuts as shown.
3. Insert the power cord into the opening of cover as shown.
4. Connect wires by quick connectors and wiring caps.
5. Reattach the cover by using provided into the led luminaire.
6. Suspend the led luminaire in the ceiling (different ceiling type use corresponding accessory).



Mounting Point



Wattage & CCT Adjustable By Dip Switch

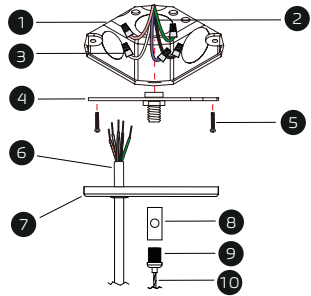
Length	High	Medium	Low
3'	4000lm	3000lm	2000lm
4'	4000lm	3000lm	2000lm

VERTICAL PENDANT LED

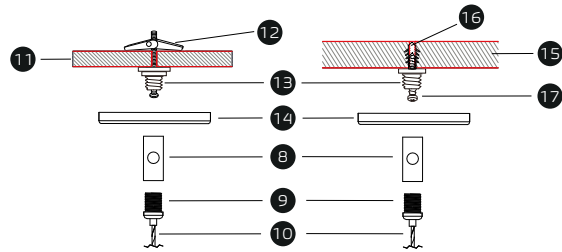
ARCHITECTURAL LED LUMINAIRE DRY CEILING

! RISK OF FIRE AND ELECTRICAL SHOCK. FIXTURE MUST BE INSTALLED BY A QUALIFIED ELECTRICIAN ONLY IN ACCORDANCE WITH NATIONAL, LOCAL BUILDING AND ELECTRICAL CODES. DISCONNECT POWER AT ELECTRICAL PANEL BEFORE SERVICING.

POWER FEED



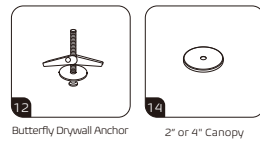
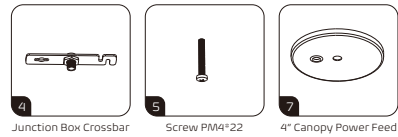
NON POWER SUSPENSION



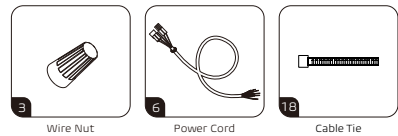
PARTS LIST

- 1 4" Octagon Junction Box (By Others)
- 2 Power Cord (By Others)
- 3 Wire Nut
- 4 Junction Box Crossbar
- 5 Screw PM4*22
- 6 Power Cord
- 7 4" Power Canopy Kit
- 8 Cable Holder
- 9 Strain Relief Thread Nut
- 10 Aircraft Cable
- 11 Drywall Ceiling (By Others)
- 12 Butterfly Drywall Anchor
- 13 Crimp Stud
- 14 2" Canopy
- 15 Solid Ceiling (By Others)
- 16 Anchor
- 17 Screw PA4*30

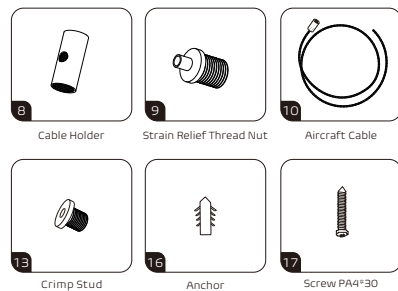
Canopy



Power Cord



Suspension Kit

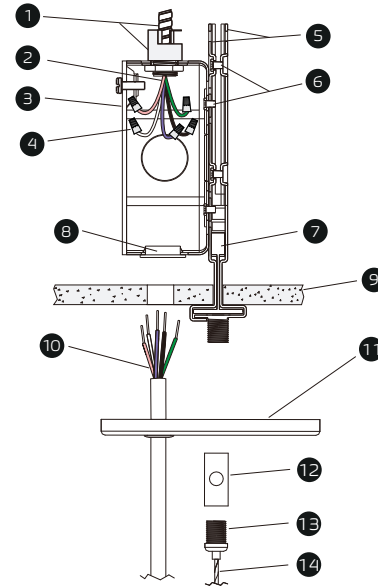


VERTICAL PENDANT LED

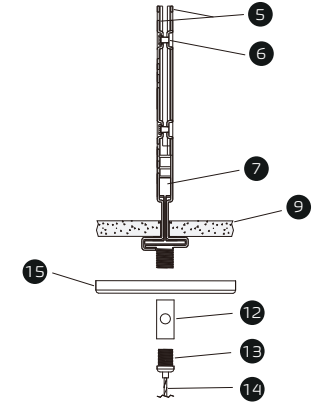
ARCHITECTURAL LED LUMINAIRE DROP CEILING

! RISK OF FIRE AND ELECTRICAL SHOCK. FIXTURE MUST BE INSTALLED BY A QUALIFIED ELECTRICIAN ONLY IN ACCORDANCE WITH NATIONAL, LOCAL BUILDING AND ELECTRICAL CODES. DISCONNECT POWER AT ELECTRICAL PANEL BEFORE SERVICING.

POWER FEED



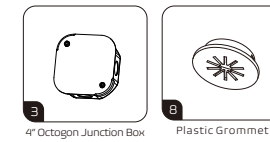
NON POWER SUSPENSION



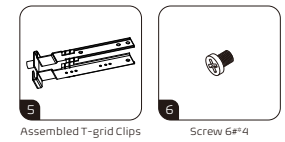
PARTS LIST

- 1 Armored Cable & Connector (By Others)
- 2 Power Cord (By Others)
- 3 4" Octagon Junction Box
- 4 Wire Nut
- 5 Assembled T-grid Clips
- 6 Screw 6#*4
- 7 T-grid (By Others)
- 8 Plastic Grommet
- 9 Ceiling Tile (By Others)
- 10 Power Cord
- 11 4" Canopy Power Feed
- 12 Cable Holder
- 13 Strain Relief Thread Nut
- 14 Aircraft Cable
- 15 2" Canopy

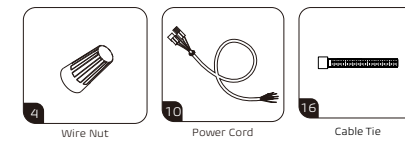
Junction BOX



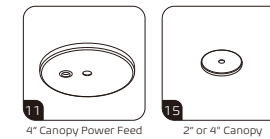
T-grid Clips



Power Cord



Canopy



Suspension Kit

