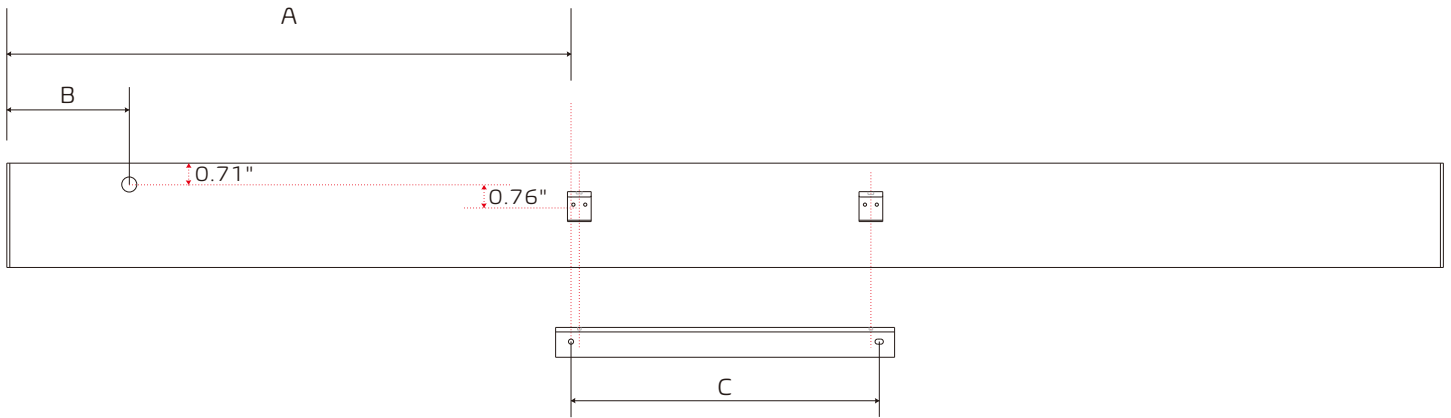


# 2.3" or 3.8" Width WALL MOUNT LED

## Architectural LED Luminaire Installation Instructions

**⚠ RISK OF FIRE AND ELECTRICAL SHOCK. FIXTURE MUST BE INSTALLED BY A QUALIFIED ELECTRICIAN ONLY IN ACCORDANCE WITH NATIONAL, LOCAL BUILDING AND ELECTRICAL CODES. DISCONNECT POWER AT ELECTRICAL PANEL BEFORE SERVICING.**

### MOUNTING LOCATION



Nominal Length	2.3" or 3.8" Width Linear (Diffuser, Regress, Wall Wash)			2.3" Width Linear (Diffuser, Regress, Wall Wash)			2.3" Width Linear (Reflector, Louver)		
	"A" Inch	"B" Inch	"C" Inch	"A" Inch	"B" Inch	"C" Inch	"A" Inch	"B" Inch	"C" Inch
2 ft.	6.73"	4.07"	10.24"	6.73"	4.07"	10.24"	6.79"	4.07"	10.24"
3 ft.	12.74"	4.07"	10.24"	12.74"	4.07"	10.24"	12.70"	4.07"	10.24"
4 ft.	18.74"	4.07"	10.24"	18.74"	4.07"	10.24"	18.60"	4.07"	10.24"
8 ft.	42.50"	4.07"	10.24"	42.50"	4.07"	10.24"	42.22"	4.07"	10.24"

# 2.3" or 3.8" Width WALL MOUNT LED

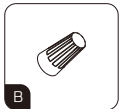
# Architectural LED Luminaire Independent Installation

**⚠ RISK OF FIRE AND ELECTRICAL SHOCK. FIXTURE MUST BE INSTALLED BY A QUALIFIED ELECTRICIAN ONLY IN ACCORDANCE WITH NATIONAL, LOCAL BUILDING AND ELECTRICAL CODES. DISCONNECT POWER AT ELECTRICAL PANEL BEFORE SERVICING.**

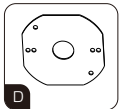
## IMPORTANT

1. Read all instructions.
2. Install in accordance with national and local electrical code regulations.
3. This product is intended to be installed and serviced by a qualified, licensed electrician.
4. Do not install in wet locations. For dry and damp use only.
5. Turn off electrical power before installing or servicing fixture in any way.
6. To reduce the risk of fire and overheating, make sure all connections are tight.
7. Under no circumstances can the lighting fixture be covered with heat insulation gasket or similar materials.
8. The maximum connection of each input line is 40FT(1200CM) in 120AC, 80FT(2400CM) in 230AC, 100FT(3000CM) in 277AC.

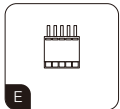
## ACCESSORY



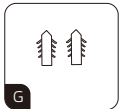
Wire Nut



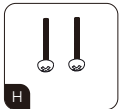
Square plate (Optional accessory)  
Noted: Square plate Compatible for 4" octagon, 4" round, 4" square and 2x4" rectangle junction boxes.



Male quick connector (5 holes)



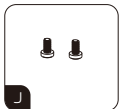
Anchor



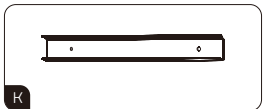
Screw



Screw



Screw



Wall Mounting Bracket

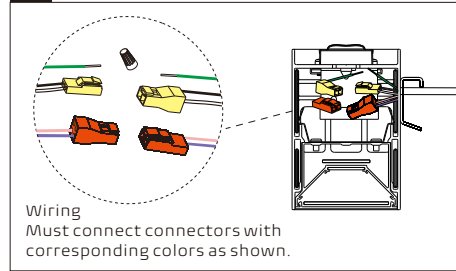
## WIRING

CORD / SUPPLY WIRING		LUMINAIRE	
LINE	●	LINE- BLACK	●
GREEN	●	GROUND-GREEN	●
NEUTRAL	●	NEUTRAL- WHITE	●
DIM(+) VIOLET	●	VIOLET	●
DIM(-) PINK	●	PINK	●

**⚠** Please isolate two dimming wires by P2 terminal individually if no need dimming; **MUST connect wires with corresponding colors as shown.**

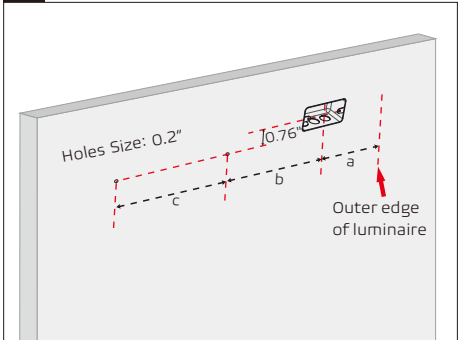
## INDEPENDENT INSTALLATION

### 1 Assemble Power Cord



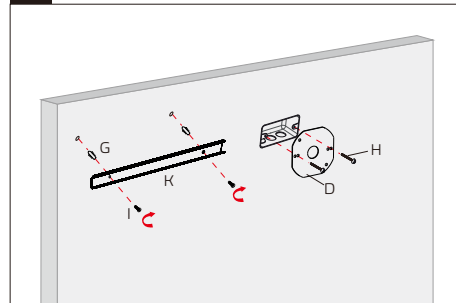
Take off the end cap and LED modular, thread the power cord out of the housing as shown. Wiring and then remount LED modular and end cap.

### 2 Install mounting point on wall



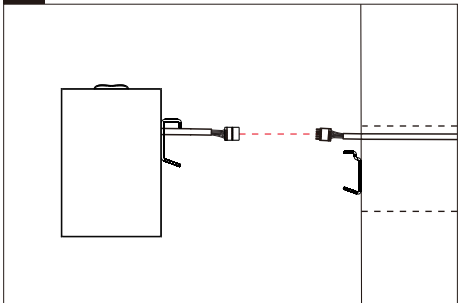
Nominal Length	2.3" or 3.8" Width Linear (Diffuser, Regress, Wall Wash)			2.3" Width Linear (Diffuser, Regress, Wall Wash)			2.3" Width Linear (Reflector, Louver)		
	"a"	"b"	"c"	"a"	"b"	"c"	"a"	"b"	"c"
2 ft.	0.34'	0.22'	0.85'	0.34'	0.22'	0.85'	0.34'	0.25'	0.85'
3 ft.	0.34'	0.72'	0.85'	0.34'	0.72'	0.85'	0.34'	0.72'	0.85'
4 ft.	0.34'	1.22'	0.85'	0.34'	1.22'	0.85'	0.34'	1.12'	0.85'
8 ft.	0.34'	3.20'	0.85'	0.34'	3.20'	0.85'	0.34'	3.18'	0.85'

### 3 Install plate and bracket



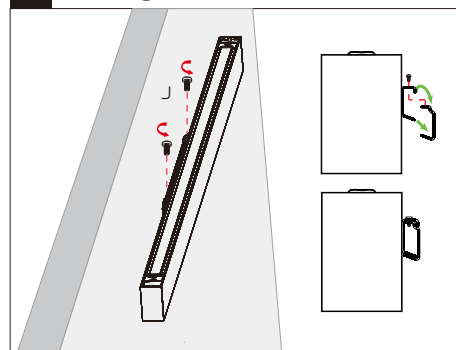
2-1: Insert Anchor "G" into hole and fix the wall mounting bracket "K" with screw "I".  
2-2: Mount the square cover plate "D" onto J-box with screw "H", then plastering.

### 4 Wiring



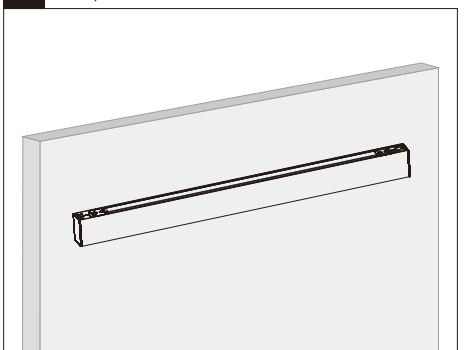
3-1: Plug in AC wires, dimming wires and ground wire into the male quick connector (5 holes) "E" according to label instructions.  
3-2: Plug in the male and female connector together, hide all wires into the junction box.

### 5 Mounting



Match the hole position of the fixture and "wall mounting bracket", and mount the fixture onto wall with screw "J".

### 6 Complete



# 2.3" or 3.8" Width WALL MOUNT LED

# Architectural LED Luminaire Multiple Luminaires Connection

**⚠ RISK OF FIRE AND ELECTRICAL SHOCK. FIXTURE MUST BE INSTALLED BY A QUALIFIED ELECTRICIAN ONLY IN ACCORDANCE WITH NATIONAL, LOCAL BUILDING AND ELECTRICAL CODES. DISCONNECT POWER AT ELECTRICAL PANEL BEFORE SERVICING.**

## ACCESSORY



1/2" Joinder



Silicone Seal

Noted: Silicone Seal is used to seal seams that may appear at both ends of luminaires when multiple connections.

## BEFORE CONNECTING

### Disassemble luminaires

**Start of run (SoR):** Remove the end cap without power code, insert the joiner and fix it with screw.

**Middle of run (MoR):** Remove both end caps, insert the joiner and fix it with screw.

**End of run (EoR):** Remove the end cap with power code, insert the joiner and fix it with screw.

## MULTIPLE LUMINAIRES CONNECTION

**1** Install mounting point on wall

**2** Install plate and bracket from SoR to EoR

Nominal Length	2.3" or 3.8" Width Linear (Diffuser, Regress, Wall Wash)				2.3" Width Linear (Diffuser, Regress, Wall Wash)				2.3" Width Linear (Reflector, Louver)			
	"a"	"b"	"c"	"d"	"a"	"b"	"c"	"d"	"a"	"b"	"c"	"d"
	Feet	Feet	Feet	Feet	Feet	Feet	Feet	Feet	Feet	Feet	Feet	Feet
2 ft.	0.34'	0.22'	0.85'	1.11'	0.34'	0.22'	0.85'	1.11'	0.34'	0.25'	0.85'	1.12'
3 ft.	0.34'	0.72'	0.85'	2.11'	0.34'	0.72'	0.85'	2.11'	0.34'	0.72'	0.85'	2.10'
4 ft.	0.34'	1.22'	0.85'	3.11'	0.34'	1.22'	0.85'	3.11'	0.34'	1.12'	0.85'	3.08'
8 ft.	0.34'	3.20'	0.85'	7.07'	0.34'	3.20'	0.85'	7.07'	0.34'	3.18'	0.85'	7.02'

**3** Wiring – SoR

3-1: Plug in AC wires, dimming wires and ground wire into the male quick connector (5 holes) "E" according to label instructions.

3-2: Plug in the male and female connector together, hide all wires into the junction box.

**4** Mounting

Match the hole position of the fixture and "wall mounting bracket", and mount the fixture onto wall with screw "J".

**5** Repeat install and join steps – MoR to EoR

Wiring  
Must connect connectors with corresponding colors as shown.

**6** Complete

**Optional 42' Diffuser Lens Roll**

Diffuser (Optional Accessories)  
Optional continuous roll-out lens which can reach seamless continue runs up to 42' is available.