

ZETA 1.8"-Pendant

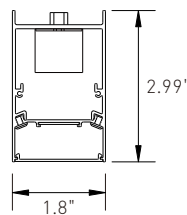
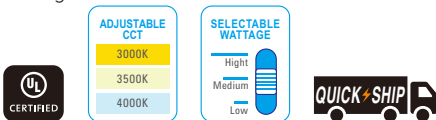
Spec-grade | Architectural LED Linear Lighting



Combining superior esthetics, quality performance and unparalleled versatility, Zeta 1.8" series offers new opportunities to capture the beauty and benefits of true lighting. With a maximum output of 1200 lm/ft and a choice of various lengths, Zeta is capable of delivering the light levels needed for the most demanding applications by CCT adjustable and wattage selectable functions, compatible for dry ceiling and drop ceiling. While simple in appearance.

Feature

- 2 lighting distribution by dip switch
- CCT adjustable and wattage selectable
- Up to 1200 lm/ft
- Continuous runs or Custom pattern
- Pendant (Surface mounted available)
- 3 lengths & 1.8" width with internal driver



PERFORMANCE

| Finish | Length | Wattage Selectable | Lumen (25% up / 75% down) | | | Lumen (100% down) | | | Efficacy |
|--------|--------|--------------------|---------------------------|-------------|-------------|-------------------|-------------|-------------|----------------|
| | | | 3000K | 3500K | 4000K | 3000K | 3500K | 4000K | |
| White | 2' | 20W/15W/10W | 1120~2240lm | 1220~2440lm | 1170~2340lm | 1050~2100lm | 1150~2300lm | 1100~2200lm | 580~1170 lm/ft |
| | 4' | 40W/30W/20W | 2240~4480lm | 2440~4880lm | 2340~4680lm | 2100~4200lm | 2300~4600lm | 2200~4400lm | |
| | 8' | 80W/60W/40W | 4480~8960lm | 4880~9760lm | 4680~9360lm | 4200~8400lm | 4600~9200lm | 4400~8800lm | |
| Black | 2' | 20W/15W/10W | 920~1840lm | 1020~2040lm | 970~1940lm | 850~1700lm | 950~1900lm | 900~1800lm | 480~970 lm/ft |
| | 4' | 40W/30W/20W | 1840~3680lm | 2040~4080lm | 1940~3880lm | 1700~3400lm | 1900~3800lm | 1800~3600lm | |
| | 8' | 80W/60W/40W | 3680~7360lm | 4080~8160lm | 3880~7760lm | 3400~6800lm | 3800~7600lm | 3600~7200lm | |

* Check the IES file to gain the accurate data.

ZETA 1.8"-Pendant

Spec-grade | Architectural LED Linear Lighting



STRUCTURE

► Finish

Extruded aluminum housing with powder coat white, black or custom.

► Electrical

| | |
|--------------------------|--|
| Mini Internal LED Driver | It is powered by Class 2 high efficiency LED driver, with a standard 1-10V dimming which continuous dims to 10% that works with many types of controls. Tested Dimmers: Lutron® Diva-Dvtv, Leviton® IP-710-DL. |
| Wattage Adjustable | 2' : 20w, 15w, 10w 4' : 40w, 30w, 20w 8' : 80w, 60w, 40w |
| THD | <20% |
| Power Factor | >0.9 |
| Input Voltage | Standard electronic drivers are UL recognized and available for 120-277V input voltage. |

► LED System

| | |
|-------------|--|
| CRI | Minimum 80 color rendering index |
| CCT | CCT adjustable from 3000K, 3500K and 4000K with a great color consistency. |
| Environment | damp rated for ambient operating temperature of -20°C to +40°C (-4° to +104°F) |

► Mounting

- Pendant-Dry ceiling or T-Grid ceiling compatible.
- Cable lengths of 5ft is standard, 12ft or others are available.
- Individual or continuous run, up to 40ft in 120VAC, 100ft in 277VAC.
- Custom Pattern with optional Line, L, T, X, V, and Y joiners.

► Approvals

- cULus listed, suitable for damp locations
- Designed for indoor use only
- 5 years limited warranty

PRODUCT ORDERING GUIDE

Default Settings :Maximum wattage, 4000K and 100% down.

Sample

| | | | | | | | | | | |
|-------------------------------------|--------------------------|--------------------------|--------------------------|-------------------------------------|--------------------------|--------------------------|--------------------------|--------------------------|--------------------------|--------------------------|
| Z | E | - | 4 | 3 | - | I | T | W | A | D |
| 1 | 2 | 3 | 4 | 5 | 6 | 7 | | | | |
| <input checked="" type="checkbox"/> | <input type="checkbox"/> | <input type="checkbox"/> | <input type="checkbox"/> | <input checked="" type="checkbox"/> | <input type="checkbox"/> | <input type="checkbox"/> | <input type="checkbox"/> | <input type="checkbox"/> | <input type="checkbox"/> | <input type="checkbox"/> |
| ZE | - | | 3 | - | I | TW | A | | | D |
| 1 | 2 | 3 | 4 | 5 | 6 | 7 | | | | |

1. Base Model

ZE ZETA

2. Length

2 2 feet 4 4 feet 8 8 feet

3. Width

3 1.8inch

4. Driver

I Internal

5. CCT

TW CCT Adjustable By Dip Switch (3000K,3500K,4000K)

6. Light Distribution

A 2 Lighting Distribution By Dip Switch
25%Up/75% Down,100% Down

7. Optics Options

D Diffuser

OPTIONAL ORDERING GUIDE

Ceiling Type

- Dry Wall (Mount to J-box)
- Drop Ceiling Clips (Suitable for 9/16" and 15/16" Flat Ceiling)
- Drop Ceiling Clips (Suitable for 9/16" Slot Ceiling)
- Drop Ceiling Clips (Suitable for 15/16" Slot Ceiling) *

Power Cord Length And Aircraftcable

- 5 ft white power cord + 5ft aircraft cable
- 5 ft black power cord + 5ft aircraft cable
- 12 ft white power cord + 12ft aircraft cable
- 12 ft black power cord + 12ft aircraft cable

Canopy

Finish: White Black

Type: 1.6" Round 4.5" Round (Designed for power cable)

1.6" Square 4.5" Square (Designed for power cable)

5.8" Round With Occupancy Sensor (Power Feed)

Joiner

- "—" pattern
- Rolling Diffuser (42')
- "X" pattern
- "T" pattern
- "L" pattern
- "V" pattern *
- "Y" pattern *

Optional Functions

- LED Emergency Driver (Order Separated)
- Occupancy Sensor (Order Separated)

*Additional cost and/or lead time on customized fixtures may apply.
Some fixtures require an MOQ. Please contact your sales rep for more information.

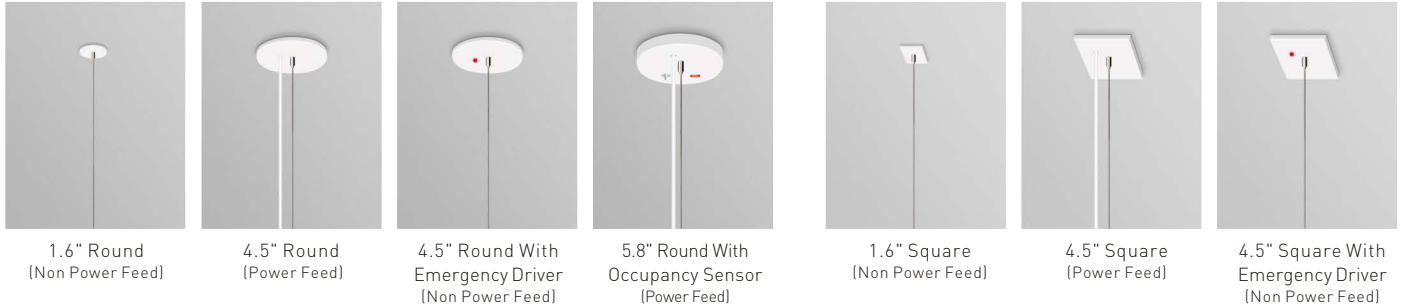
ZETA 1.8"-Pendant

Spec-grade | Architectural LED Linear Lighting



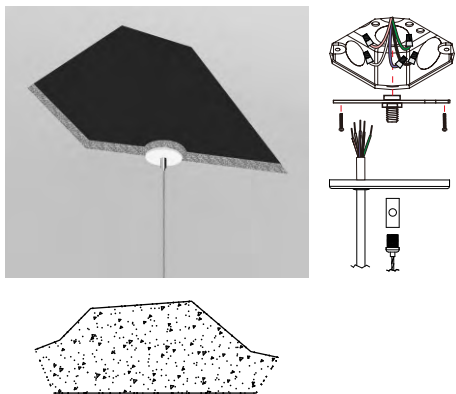
MOUNTING

Canopy Style



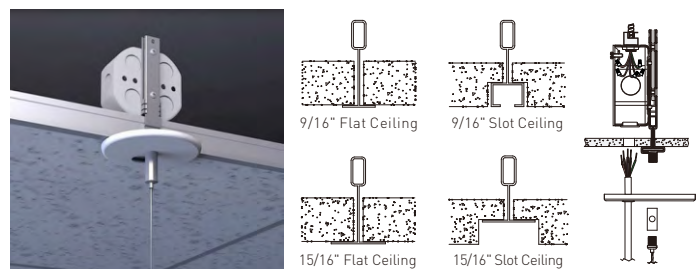
Dry Ceiling / Off Grid

"Various Hard Ceilings" (Mount to J-box)



Drop Ceiling / On Grid

Suspending the luminaire in the T-grid. Compatible for various T-grid, including 9/16" Flat, 9/16" Slot, 15/16" Flat.



*Please see the installation instruction for more details.

Pendant Accessories For Dry Ceiling

Canopy Kits



Power Cord Kits



Aircraft Cable Kits

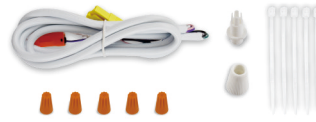


Pendant Accessories For Drop Ceiling

Canopy Kits



Power Cord Kits



T-grid Clips



Junction Box



Aircraft Cable Kits



ZETA 1.8"-Pendant

Spec-grade | Architectural LED Linear Lighting

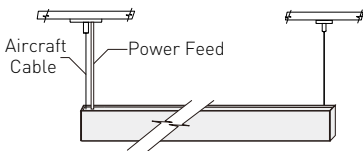


Standard Line Runs In 120v

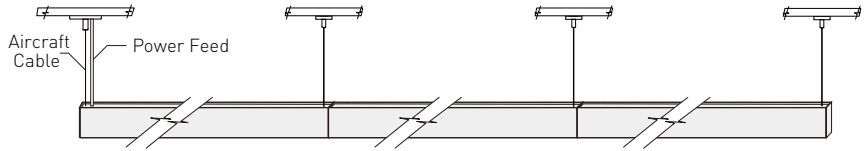
| Luminaire Run Length (ft) | Run Configuration | Line Joiner | 5' Power Cable | 5' Aircraft Cable | Canopy |
|---------------------------|-------------------|-------------|----------------|-------------------|--------|
| 2 | 2' | - | 1 | 2 | 2 |
| 4 | 4' | - | 1 | 2 | 2 |
| 6 | 4'+2' | 1 | 1 | 3 | 3 |
| 8 | 8' | - | 1 | 2 | 2 |
| 10 | 8'+2' | 1 | 1 | 3 | 3 |
| 12 | 8'+4' | 1 | 1 | 3 | 3 |
| 14 | 8'+4'+2' | 2 | 1 | 4 | 4 |
| 16 | 8'+8' | 1 | 1 | 3 | 3 |
| 18 | 8'+8'+2' | 2 | 1 | 4 | 4 |
| 20 | 8'+8'+4' | 2 | 1 | 4 | 4 |
| 22 | 8'+8'+4'+2' | 3 | 1 | 5 | 5 |
| 24 | 8'+8'+8' | 2 | 1 | 4 | 4 |
| 26 | 8'+8'+8'+2' | 3 | 1 | 5 | 5 |
| 28 | 8'+8'+8'+4' | 3 | 1 | 5 | 5 |
| 30 | 8'+8'+8'+4'+2' | 4 | 1 | 6 | 6 |
| 32 | 8'+8'+8'+8' | 3 | 1 | 5 | 5 |
| 34 | 8'+8'+8'+8'+2' | 4 | 1 | 6 | 6 |
| 36 | 8'+8'+8'+8'+4' | 4 | 1 | 6 | 6 |
| 38 | 8'+8'+8'+8'+4'+2' | 5 | 1 | 7 | 7 |
| 40 | 8'+8'+8'+8'+8' | 4 | 1 | 6 | 6 |
| 42 | 8'+8'+8'+8'+8'+2' | 5 | 2 | 7 | 7 |

Note: 4.5" canopy is designed for power cable

Individual

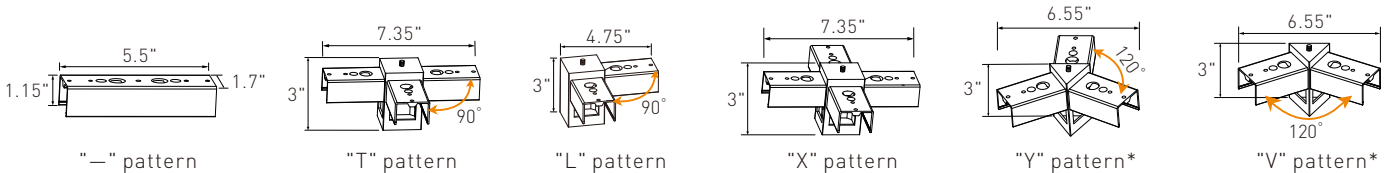


Continuous Run

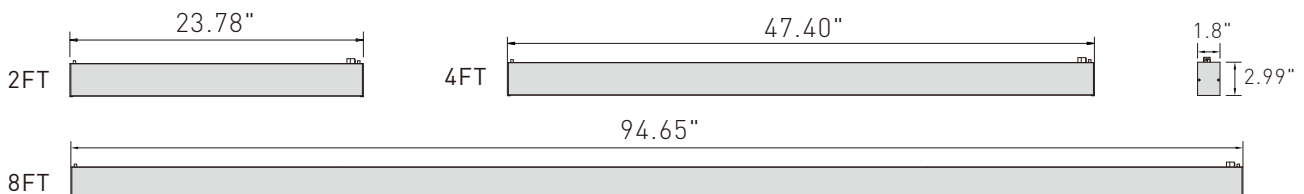


120VAC: connections up to 40ft.
277VAC: connections up to 100ft.

Custom Pattern With Joiners



DIMENSIONS



ZETA 1.8"-Pendant

Spec-grade | Architectural LED Linear Lighting



► Emergency Option

OKT Lighting offers UL & CEC Listed LED emergency drivers. When AC power fails it, immediately switches to the emergency mode operating for lighting minimum 90 minutes. When AC power is restored it, automatically returns to the charging mode which meets critical life-safety lighting requirements.



Order Separated LED emergency driver

Optional 8w or 25w high voltage LED emergency driver can be provided if you need and do it wiring in field. For more info or spec sheet please visit our website or contact sales.



Code-Required Testing

• Initial Self-Test After Installation

It will perform a functional test in 3 seconds after the driver installed to check the wiring and battery output when work. The indicator LED will be off or flicker in case of a failure or an error.

• Second Self-Test In 120 Minutes

It will perform second test in 120 minutes to check again. Upgrade in Gen 3: Repeat 4 times in every 120 minutes if fail in the second test.

• Monthly Self-Test

It will automatically perform a test every 30 days with a duration of 3 seconds, in which the wiring and battery output are checked. In case of a failure or an error, the indicator LED will be off or flicker.

► Occupancy Sensor



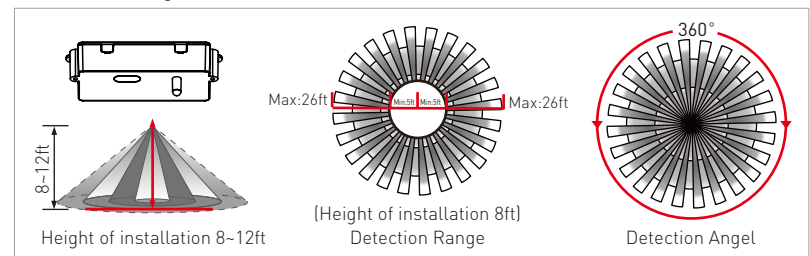
We can provide a factory-installed integrated sensor system for multi-level control based on motion and/or daylight contribution with BRI810-B-D level & daylight harvest microwave sensor from SHARKWARD. For more info or spec sheet, please contact sales.



Specification

| | |
|--|---|
| Power Supply | 120/277 VAC 50/60Hz |
| Maximum load (@-40°F~+158°F (-40°C~+70°C)) | Resistive/ Tungsten-600W@120V Electronic Ballast(LED)-800VA@120V/1200VA@277V |
| HF System | 5.8GHz CW |
| Dim Control Output | 0-10V, max.25mA sinking current |
| Detection Radius/angle | Max 26ft.(8m)/360 |
| Mounting Height | Max 12ft |
| Humidity | Max.95% RH |
| Temperature | -40°F~+158°F (-40°C~+70°C) |

Sensor Coverage



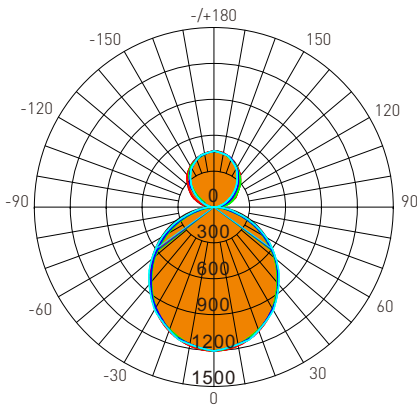
ZETA 1.8"-Pendant

Spec-grade | Architectural LED Linear Lighting



DISTRIBUTION DIAGRAM

4' / Diffuser/25% Up,75% Down/3000K



AVERAGE BEAM ANGLE(50%): 107.0°

Test Number: ZE-43-I30AD-1 UNIT:cd
 Lumens: 4463.53 Lm — C0/180, 107.8°
 Watts: 40 W — C30/210, 105.0°
 LPW: 117.05 Lm/W — C60/240, 106.3°
 CCT: 3000K — C90/270, 108.7°

Zonal Flux Diagram

| τ | C0 | C45 | C90 | C135 | C180 |
|-----|-----------------------|-------|-------|-------|-------|
| 5 | 1196 | 1186 | 1184 | 1186 | 1196 |
| 10 | 1176 | 1163 | 1166 | 1164 | 1176 |
| 15 | 1144 | 1134 | 1147 | 1137 | 1144 |
| 20 | 1100 | 1099 | 1096 | 1105 | 1101 |
| 25 | 1046 | 1040 | 1045 | 1049 | 1047 |
| 30 | 983.8 | 974.0 | 994.5 | 987.2 | 983.9 |
| 35 | 913.6 | 905.7 | 919.2 | 923.9 | 913.6 |
| 40 | 836.9 | 833.7 | 844.0 | 846.3 | 838.4 |
| 45 | 755.3 | 746.1 | 768.7 | 698.4 | 756.8 |
| 50 | 669.2 | 659.0 | 679.5 | 556.0 | 671.7 |
| 55 | 579.4 | 572.1 | 590.3 | 437.6 | 582.0 |
| 60 | 486.8 | 469.5 | 501.1 | 363.2 | 489.7 |
| 65 | 391.2 | 368.8 | 402.2 | 293.0 | 394.7 |
| 70 | 294.2 | 268.6 | 303.3 | 225.0 | 298.3 |
| 75 | 198.5 | 168.9 | 204.3 | 159.3 | 200.2 |
| 80 | 106.8 | 81.23 | 136.7 | 99.44 | 108.9 |
| 85 | 33.35 | 48.53 | 69.09 | 53.24 | 21.01 |
| 90 | 2.077 | 17.62 | 1.475 | 8.028 | 4.643 |
| 95 | 37.89 | 55.62 | 20.43 | 30.93 | 9.619 |
| 100 | 85.15 | 92.66 | 39.39 | 54.84 | 50.11 |
| 105 | 132.6 | 120.2 | 58.34 | 90.05 | 99.92 |
| 110 | 171.1 | 146.7 | 90.93 | 124.8 | 147.2 |
| 115 | 203.4 | 175.7 | 123.5 | 154.9 | 192.7 |
| 120 | 225.3 | 208.1 | 156.1 | 184.7 | 222.0 |
| 125 | 250.5 | 242.3 | 193.6 | 217.3 | 250.6 |
| 130 | 281.2 | 271.9 | 231.1 | 253.0 | 282.4 |
| 135 | 315.0 | 300.8 | 268.6 | 288.1 | 317.3 |
| 140 | 344.3 | 330.5 | 303.8 | 321.1 | 349.4 |
| 145 | 366.5 | 355.0 | 339.1 | 347.7 | 372.3 |
| 150 | 386.3 | 378.6 | 374.4 | 372.5 | 392.5 |
| 155 | 406.6 | 404.4 | 398.0 | 397.7 | 411.0 |
| 160 | 426.0 | 428.6 | 421.5 | 421.8 | 427.1 |
| 165 | 445.1 | 443.3 | 445.1 | 435.6 | 441.9 |
| 170 | 460.3 | 455.2 | 453.3 | 449.3 | 453.6 |
| 175 | 468.6 | 463.9 | 461.4 | 460.9 | 463.9 |
| 180 | 469.5 | 469.5 | 469.5 | 469.5 | 468.2 |
| DEG | LUMINOUS INTENSITY:cd | | | | |

Zonal Lumens

| τ | φ total |
|----------|---------|
| 0-5 | 28.52 |
| 5-10 | 112.6 |
| 10-15 | 249.2 |
| 15-20 | 433.4 |
| 20-25 | 657.5 |
| 25-30 | 913.6 |
| 30-35 | 1193 |
| 35-40 | 1485 |
| 40-45 | 1778 |
| 45-50 | 2062 |
| 50-55 | 2327 |
| 55-60 | 2564 |
| 60-65 | 2768 |
| 65-70 | 2933 |
| 70-75 | 3055 |
| 75-80 | 3155 |
| 80-85 | 2975 |
| 85-90 | 2989 |
| 90-95 | 2993 |
| 95-100 | 3232 |
| 100-105 | 3271 |
| 105-110 | 3326 |
| 110-115 | 3394 |
| 115-120 | 3474 |
| 120-125 | 3565 |
| 125-130 | 3667 |
| 130-135 | 3777 |
| 135-140 | 3890 |
| 140-145 | 4003 |
| 145-150 | 4111 |
| 150-155 | 4209 |
| 155-160 | 4296 |
| 160-165 | 4367 |
| 165-170 | 4420 |
| 170-175 | 4452 |
| 175-180 | 4464 |
| UNIT: lm | |

Luminance cd/(m2)

| G(DEG) | C0/180 | C90/270 |
|--------|--------|---------|
| 85 | 7220 | 14957 |
| 80 | 11609 | 14854 |
| 75 | 14471 | 14895 |
| 70 | 16230 | 16730 |
| 65 | 17465 | 17956 |
| 60 | 18369 | 18911 |
| 55 | 19060 | 19419 |
| 50 | 19643 | 19946 |
| 45 | 20155 | 20511 |

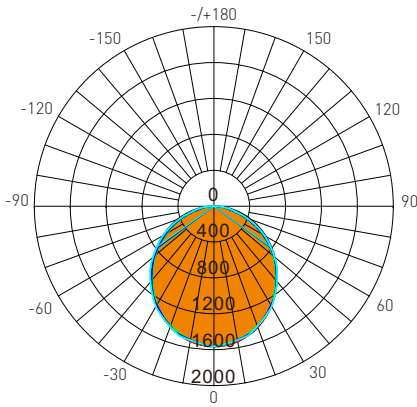
ZETA 1.8"-Pendant

Spec-grade | Architectural LED Linear Lighting



DISTRIBUTION DIAGRAM

4' / Diffuser/25% Up,75% Down/3000K



AVERAGE BEAM ANGLE(50%): 107.4°

Test Number: ZE-43-I30AD
Lumens: 4175.42 Lm
Watts: 40 W
LPW: 107.97 Lm/W
CCT: 3000K

UNIT: cd
— C0/180, 107.7°
— C30/210, 105.9°
— C60/240, 107.1°
— C90/270, 108.9°

Zonal Flux Diagram

| τ | C0 | C45 | C90 | C135 | C180 |
|-----|-----------------------|-------|-------|-------|--------|
| 5 | 1556 | 1543 | 1539 | 1542 | 1555 |
| 10 | 1532 | 1513 | 1514 | 1513 | 1528 |
| 15 | 1490 | 1475 | 1490 | 1475 | 1487 |
| 20 | 1433 | 1430 | 1423 | 1432 | 1429 |
| 25 | 1363 | 1353 | 1356 | 1359 | 1360 |
| 30 | 1282 | 1268 | 1290 | 1277 | 1277 |
| 35 | 1190 | 1180 | 1192 | 1194 | 1186 |
| 40 | 1090 | 1086 | 1095 | 1093 | 1087 |
| 45 | 984.1 | 972.8 | 997.1 | 903.1 | 982.0 |
| 50 | 871.7 | 859.5 | 880.8 | 717.3 | 870.4 |
| 55 | 756.0 | 747.0 | 764.5 | 563.3 | 753.9 |
| 60 | 634.8 | 616.5 | 648.3 | 465.0 | 633.8 |
| 65 | 510.5 | 488.9 | 519.9 | 373.3 | 510.2 |
| 70 | 384.1 | 361.7 | 391.5 | 283.0 | 384.4 |
| 75 | 259.5 | 235.0 | 263.1 | 194.8 | 257.1 |
| 80 | 141.1 | 120.8 | 176.0 | 115.2 | 139.2 |
| 85 | 43.64 | 60.87 | 88.86 | 59.69 | 25.85 |
| 90 | 0.7283 | 2.885 | 1.718 | 5.544 | 3.443 |
| 95 | 1.779 | 2.816 | 1.973 | 4.765 | 0.5225 |
| 100 | 1.956 | 2.742 | 2.228 | 4.015 | 0.7466 |
| 105 | 2.181 | 2.862 | 2.483 | 4.599 | 1.017 |
| 110 | 2.418 | 2.997 | 2.832 | 5.326 | 1.321 |
| 115 | 2.619 | 3.078 | 3.181 | 5.658 | 1.638 |
| 120 | 2.871 | 3.146 | 3.530 | 5.661 | 1.941 |
| 125 | 3.091 | 3.239 | 3.785 | 5.580 | 2.264 |
| 130 | 3.306 | 3.442 | 4.039 | 5.066 | 2.544 |
| 135 | 3.530 | 3.716 | 4.294 | 4.649 | 2.810 |
| 140 | 3.712 | 4.043 | 4.347 | 4.380 | 3.043 |
| 145 | 3.880 | 4.233 | 4.400 | 4.376 | 3.277 |
| 150 | 4.029 | 4.362 | 4.453 | 4.417 | 3.557 |
| 155 | 4.127 | 4.466 | 4.439 | 4.556 | 3.795 |
| 160 | 4.230 | 4.512 | 4.426 | 4.705 | 3.991 |
| 165 | 4.318 | 4.405 | 4.412 | 4.765 | 4.164 |
| 170 | 4.318 | 4.354 | 4.374 | 4.534 | 4.290 |
| 175 | 4.248 | 4.286 | 4.337 | 4.390 | 4.397 |
| 180 | 4.300 | 4.300 | 4.300 | 4.300 | 4.458 |
| DEG | LUMINOUS INTENSITY:cd | | | | |

Zonal Lumens

| τ | φ total |
|---------|----------|
| 0-5 | 37.10 |
| 5-10 | 146.5 |
| 10-15 | 324.3 |
| 15-20 | 563.8 |
| 20-25 | 855.4 |
| 25-30 | 1189 |
| 30-35 | 1552 |
| 35-40 | 1932 |
| 40-45 | 2314 |
| 45-50 | 2684 |
| 50-55 | 3028 |
| 55-60 | 3337 |
| 60-65 | 3603 |
| 65-70 | 3818 |
| 70-75 | 3977 |
| 75-80 | 4081 |
| 80-85 | 4138 |
| 85-90 | 4157 |
| 90-95 | 4158 |
| 95-100 | 4159 |
| 100-105 | 4160 |
| 105-110 | 4162 |
| 110-115 | 4163 |
| 115-120 | 4164 |
| 120-125 | 4166 |
| 125-130 | 4167 |
| 130-135 | 4168 |
| 135-140 | 4170 |
| 140-145 | 4171 |
| 145-150 | 4172 |
| 150-155 | 4173 |
| 155-160 | 4174 |
| 160-165 | 4174 |
| 165-170 | 4175 |
| 170-175 | 4175 |
| 175-180 | 4175 |
| | UNIT: lm |

Luminance cd/(m2)

| G(DEG) | C0/180 | C90/270 |
|--------|--------|---------|
| 85 | 9446 | 19236 |
| 80 | 15327 | 19123 |
| 75 | 18920 | 19183 |
| 70 | 21187 | 21598 |
| 65 | 22791 | 23210 |
| 60 | 23954 | 24462 |
| 55 | 24868 | 25149 |
| 50 | 25588 | 25854 |
| 45 | 26258 | 26605 |