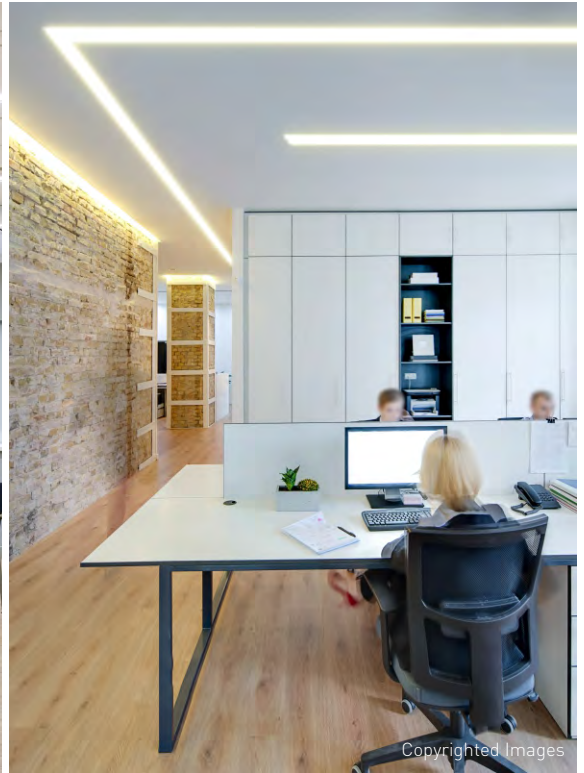


ZETA 3.8"-Recessed

Spec-grade | Architectural LED Linear Lighting



OKT ZETA 3.8" recessed linear lighting is an integrated lighting solution that compliments the ceiling and entire space while providing comfortable general illumination. It is available in 2ft, 3ft, 4ft and 8ft, simply provide wide, powerful lighting to any atmosphere with seamless continuous runs or any pattern with illuminated corner in dry ceiling. It is architectural recessed lighting solution that compatible with most 15/16" and 9/16" t-grid ceiling or dry ceiling, widely used in office spaces, major retail stores, education, government, healthcare, and hospitality.

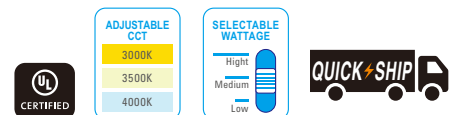
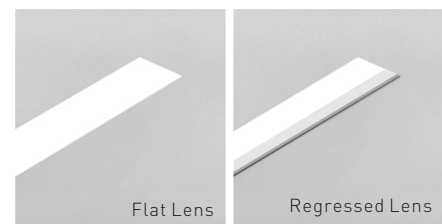
Feature

- Trimless or trim for recessed options
- Three mounting options in ONE housing - 2', 3', 4' and 8' length options
- Seamless continuous runs or custom patterns with illuminated corner
- CCT & wattage adjustable, up to 1100lm/ft
- Flat lens and deep regressed lens options
- Easy maintenance

PERFORMANCE

| Lens | Length | 100% DOWN @ 3500K | | |
|----------------|----------------|----------------------|----------------------|--------------------|
| | | High | Medium | Low |
| Flat Lens | 2', 3', 4', 8' | 1100lm/ft, 10w/ft | 800lm/ft, 7.5w/ft | 550lm/ft, 5w/ft |
| Regressed Lens | 2', 3', 4', 8' | 900lm/ft, 10w/ft | 670lm/ft, 7.5w/ft | 450lm/ft, 5w/ft |

Above are subject to 3500K. All efficacy is ±5% base on different CCT. Check the IES file to gain the accurate data.



ZETA 3.8"-Recessed

Spec-grade | Architectural LED Linear Lighting



PRODUCT PERFORMANCE

► Optics

It offers flat lens and deep regressed lens to meet your different requires.

► Finish

- Extruded aluminum housing.
- Powder coat white and black finish or custom.

► Electrical

| | |
|---------------------|---|
| Internal LED Driver | It is powered by Class 2 high efficiency LED driver, with a standard 0-10V dimming that works with many types of controls. Continuous dims to 10% (standard), 1% (optional) . Tested Dimmers: Lutron® DVSTV, Leviton® IP-710. |
| THD | <20% |
| Power Factor | >0.9 |
| Input Voltage | Standard electronic drivers are cULus recognized and available for 100-277V . |

► Mounting

- Recessed. Optional suspended or surface.
- Dry ceiling or T-Grid ceiling compatible.
- Custom Pattern with optional Line, L, T and X joiners.

► LED System

| | |
|-------------|---|
| CRI | Minimum 80 color rendering index |
| CCT | CCT adjustable from 3000K, 3500K, 4000K with a great color consistency. |
| Environment | damp rated for ambient operating temperature of -20°C to +40°C (-4° to+104°F) |

► Approvals

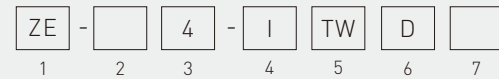
- cULus listed for damp locations
- 5 years limited warranty

PRODUCT ORDERING GUIDE

Default Settings : Maximum wattage and 4000K .

Sample

ZE-24-I TW D D



1. Base Model

ZE ZETA SERIES

2. Length

2 2 feet 4 4 feet
 3 3 feet 8 8 feet

3. Width

4 3.8 inch

4. Driver

I Internal

5. CCT

TW CCT Adjustable (3000K,3500K,4000K)

6. Lighting Distribution

D 100% Down - Recessed

7. Optics Options

D Flat Lens T Regressed Lens

OPTIONAL ORDERING GUIDE

Dimming Options

- 0-10V, dim to 10% (Standard)
- 0-10v, dim to 1% (Optional)

Application

- | | |
|--------------------------------------|--|
| <input type="checkbox"/> Dry Ceiling | <input type="checkbox"/> T-Grid / Drop Ceiling |
| <input type="checkbox"/> Trim | <input type="checkbox"/> Trim |
| <input type="checkbox"/> Trimless | <input type="checkbox"/> Trimless |

Joiner Options

- Line Joiner
 - 42' Continuous rolling lens
 - Illuminated "L" Joiner
 - Illuminated "T" Joiner *
 - Illuminated "X" Joiner *
- Only for dry ceiling

Optional Functions

- Emergency LED Driver* (Order Separated)
- Occupancy Sensor *(Order Separated)

*Additional cost and/or lead time on customized fixtures may apply. Some fixtures require an MOQ. Please contact your sales rep for more information.

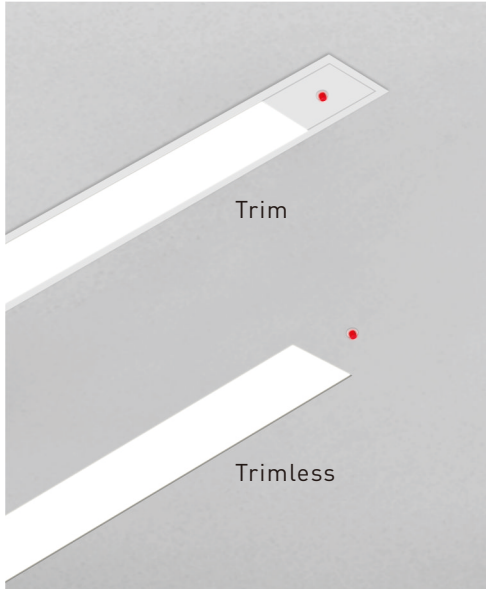
ZETA 3.8"-Recessed

Spec-grade | Architectural LED Linear Lighting



► Emergency Option *

OKT Lighting offers UL& CEC Listed LED emergency drivers. When AC power fails it, immediately switches to the emergency mode operating for lighting minimum 90 minutes. When AC power is restored it, automatically returns to the charging mode which meets critical life-safety lighting requirements.



Order Separated LED emergency driver

Optional 8w or 25w high voltage LED emergency driver can be provided if you need and do it wiring in field. For more info or spec sheet please visit our website or contact sales.



Code-Required Testing

• Initial Self-Test After Installation

It will perform a functional test in 3 seconds after the driver installed to check the wiring and battery output when work. The indicator LED will be off or flicker in case of a failure or an error.

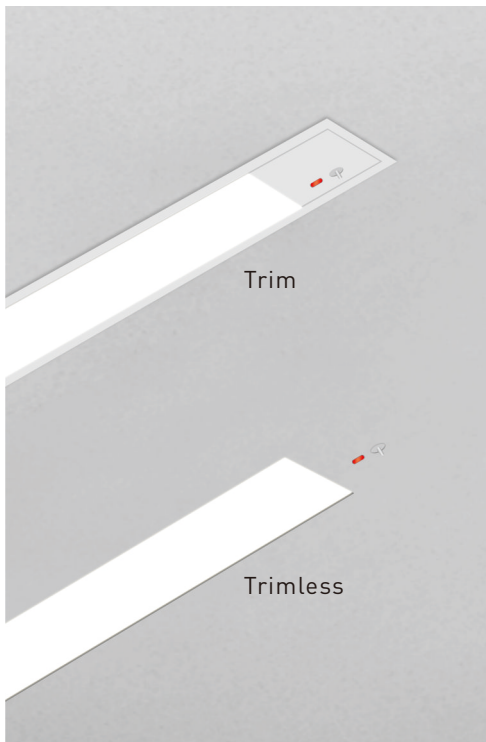
• Second Self-Test In 120 Minutes

It will perform second test in 120 minutes to check again. Upgrade in Gen 3: Repeat 4 times in every 120 minutes if fail in the second test.

• Monthly Self-Test

It will automatically perform a test every 30 days with a duration of 3 seconds, in which the wiring and battery output are checked. In case of a failure or an error, the indicator LED will be off or flicker.

► Occupancy Sensor*



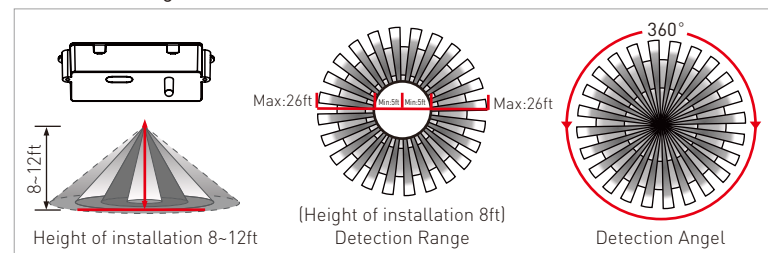
We can provide a factory-installed integrated sensor system for multi-level control based on motion and/or daylight contribution with BRI810-B-D level & daylight harvest microwave sensor from SHARKWARD. For more info or spec sheet, please contact sales.



Specification

| | |
|---|---|
| Power Supply | 120/277 VAC 50/60Hz |
| Maximum load @ -40°F~+158°F (-40°C~+70°C) | Resistive/ Tungsten-600W@120V Electronic Ballast(LED)-800VA@120V/1200VA@277V |
| HF System | 5.8GHz CW |
| Dim Control Output | 0-10V, max.25mA sinking current |
| Detection Radius/angle | Max 26ft.(8m)/360 |
| Mounting Height | Max 12ft |
| Humidity | Max.95% RH |
| Temperature | -40°F~+158°F (-40°C~+70°C) |

Sensor Coverage



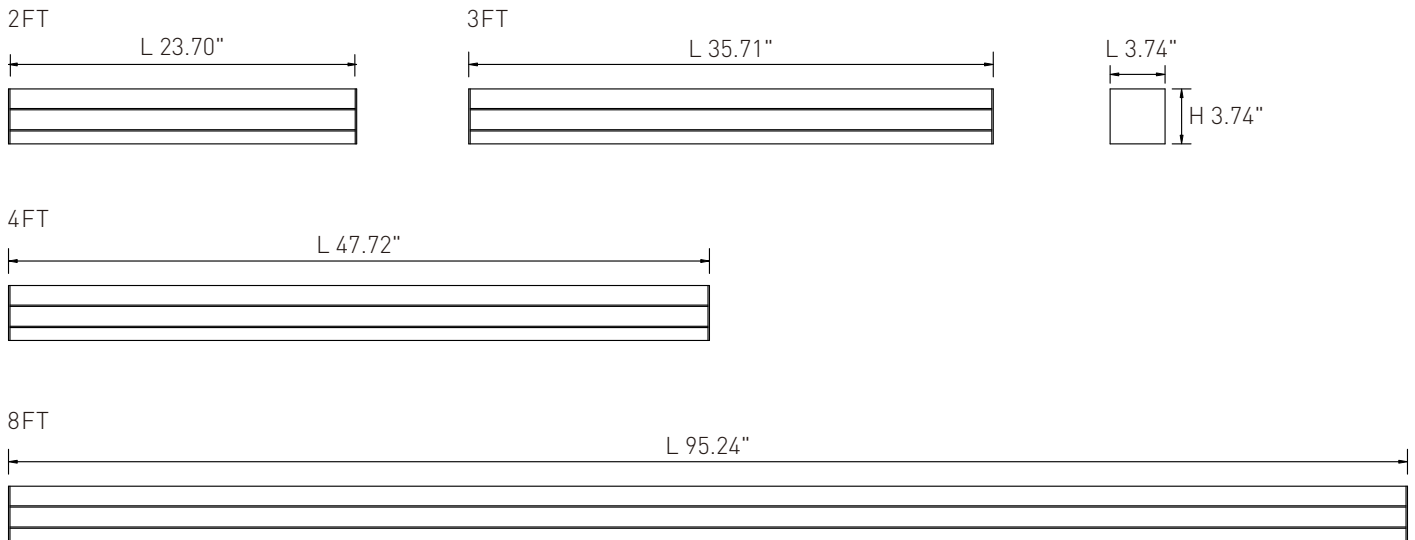
*Additional cost and/or lead time may apply. Please contact your sales rep for more information.

ZETA 3.8"-Recessed

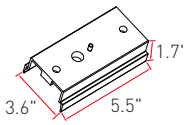
Spec-grade | Architectural LED Linear Lighting



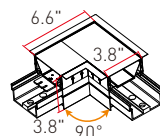
DIMENSIONS



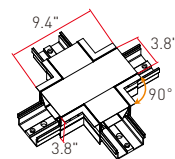
JOINER OPTIONS



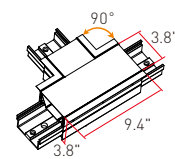
Line Joiner



Illuminated "L" Joiner



Illuminated "X" Joiner (Pending)

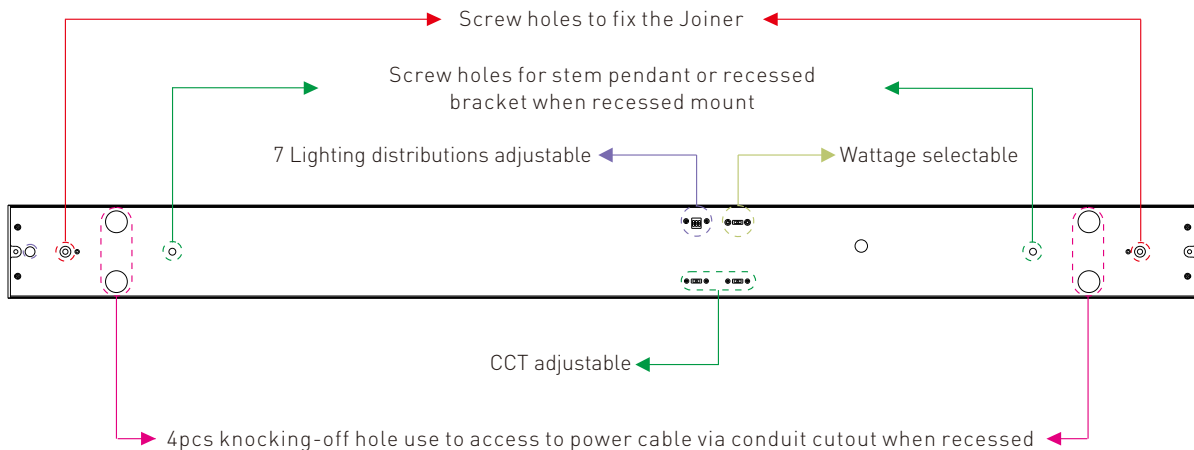


Illuminated "T" Joiner (Pending)



42' Continuous Rolling Lens

MOUNTING LOCATIONS



ZETA 3.8"-Recessed

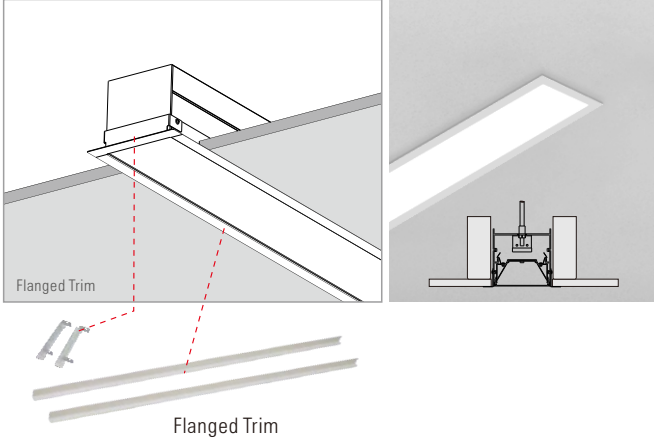
Spec-grade | Architectural LED Linear Lighting



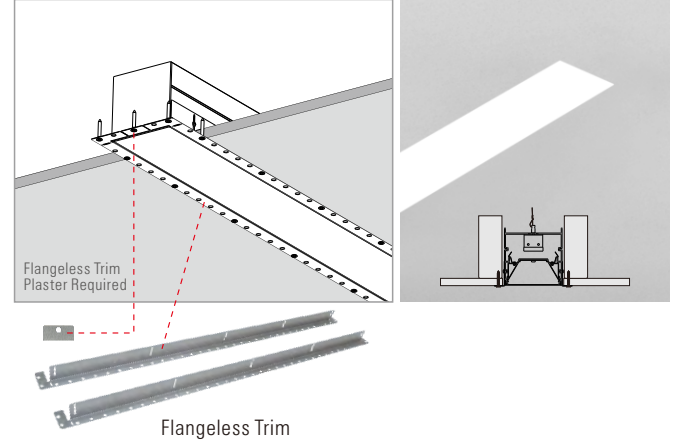
MOUNTING

RECESSED IN DRY CEILING

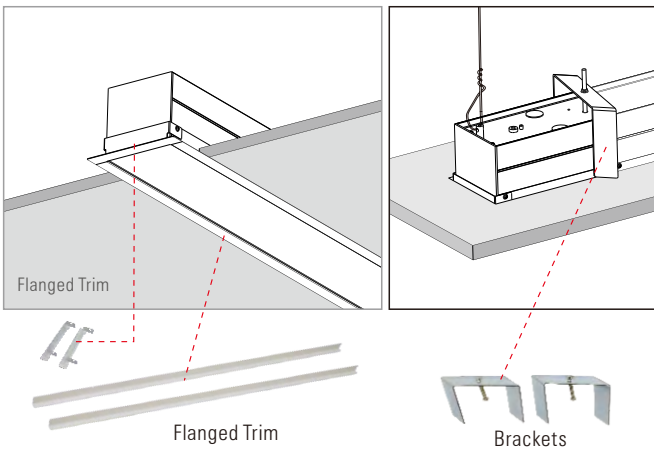
TRIM (Recessed with pendant stem)



TRIMLESS

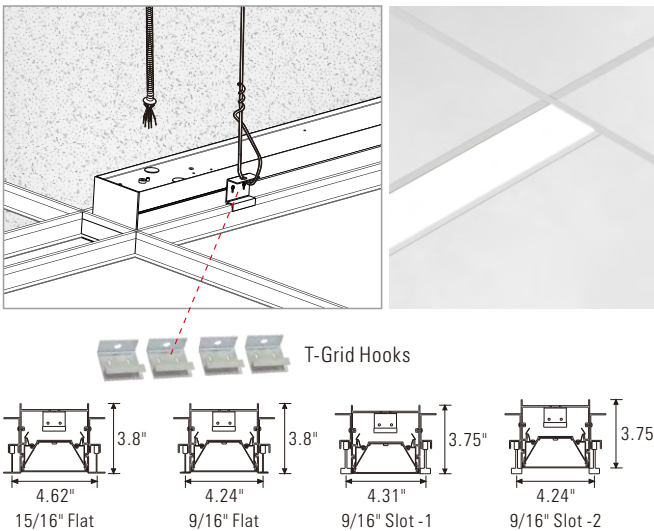


TRIM (Recessed with brackets)

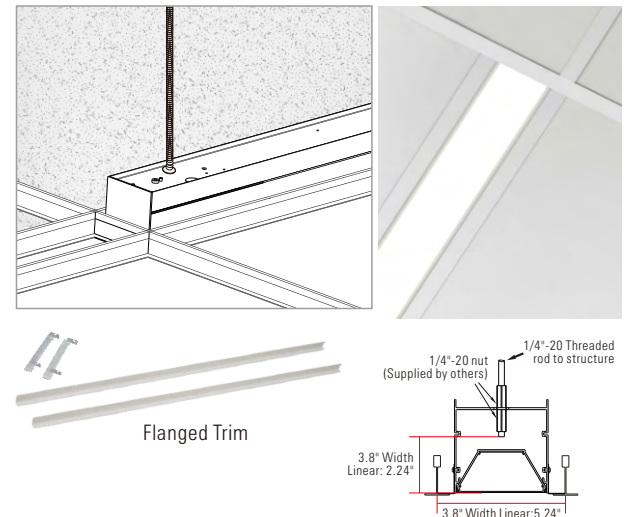


RECESSED IN GRID CEILING

T-Grid Hooks

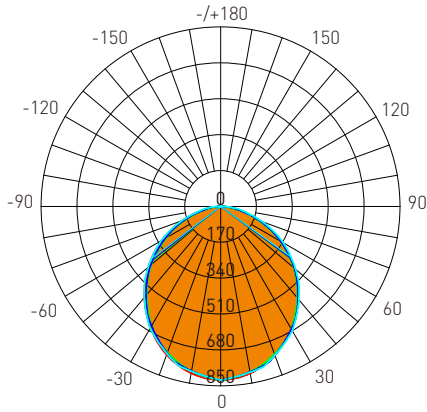


Flanged Trim



DISTRIBUTION DIAGRAM

2' / Flat Lens / 4000K/Down 100%



AVERAGE BEAM ANGLE(50%): 105.9°

Lumens: 2193.4 Lms
Watts: 21.11 W
LPW: 103.91 Lm/W
CCT: 4000K

UNIT: cd
— C0/180, 106.4°
— C30/210, 104.4°
— C60/240, 105.3°
— C90/270, 107.4°

Zonal Flux Diagram

| τ | C0 | C45 | C90 | C135 | C180 |
|-----|-----------------------|-------|-------|-------|--------|
| 5 | 817.3 | 811.1 | 809.9 | 810.9 | 817.0 |
| 10 | 803.4 | 795.8 | 798.0 | 795.8 | 802.6 |
| 15 | 780.5 | 776.0 | 786.0 | 776.1 | 779.3 |
| 20 | 749.5 | 752.5 | 750.5 | 753.2 | 748.0 |
| 25 | 711.4 | 711.7 | 715.1 | 713.2 | 709.7 |
| 30 | 667.7 | 666.3 | 679.6 | 668.9 | 665.3 |
| 35 | 619.1 | 619.8 | 628.1 | 623.7 | 616.2 |
| 40 | 566.4 | 570.5 | 576.7 | 576.3 | 563.1 |
| 45 | 510.3 | 510.1 | 525.2 | 518.2 | 506.9 |
| 50 | 451.7 | 450.2 | 464.0 | 459.1 | 447.9 |
| 55 | 391.0 | 390.7 | 402.7 | 397.3 | 386.9 |
| 60 | 328.2 | 322.2 | 341.5 | 323.9 | 324.0 |
| 65 | 263.8 | 255.2 | 275.1 | 253.3 | 257.6 |
| 70 | 199.2 | 189.0 | 208.8 | 188.9 | 193.0 |
| 75 | 134.4 | 124.2 | 142.4 | 130.8 | 129.7 |
| 80 | 75.63 | 65.54 | 95.30 | 78.27 | 71.26 |
| 85 | 27.40 | 33.35 | 48.19 | 41.33 | 23.78 |
| 90 | 0.8496 | 2.096 | 1.089 | 5.570 | 2.628 |
| 95 | 3.072 | 2.046 | 1.129 | 3.500 | 0.2474 |
| 100 | 3.296 | 1.989 | 1.169 | 1.466 | 0.2848 |
| 105 | 3.440 | 1.985 | 1.210 | 1.233 | 0.3920 |
| 110 | 3.427 | 1.974 | 1.301 | 1.285 | 0.5227 |
| 115 | 3.347 | 2.028 | 1.393 | 1.308 | 0.6628 |
| 120 | 3.062 | 2.164 | 1.484 | 1.312 | 0.8120 |
| 125 | 356.5 | 225.4 | 134.4 | 221.7 | 357.3 |
| 130 | 2.071 | 2.393 | 1.699 | 1.659 | 1.083 |
| 135 | 1.419 | 2.347 | 1.807 | 1.962 | 1.204 |
| 140 | 1.429 | 2.165 | 1.844 | 2.292 | 1.340 |
| 145 | 1.527 | 2.093 | 1.881 | 2.470 | 1.452 |
| 150 | 1.611 | 2.074 | 1.919 | 2.365 | 1.550 |
| 155 | 1.695 | 1.961 | 1.922 | 2.271 | 1.648 |
| 160 | 1.755 | 1.888 | 1.925 | 2.084 | 1.727 |
| 165 | 1.816 | 1.895 | 1.928 | 1.926 | 1.802 |
| 170 | 1.825 | 1.887 | 1.906 | 1.891 | 1.867 |
| 175 | 1.863 | 1.875 | 1.884 | 1.878 | 1.956 |
| 180 | 1.863 | 1.863 | 1.863 | 1.863 | 1.956 |
| DEG | LUMINOUS INTENSITY:cd | | | | |

Zonal Lumens

| τ | φ total |
|---------|----------|
| 0-5 | 19.49 |
| 5-10 | 76.95 |
| 10-15 | 170.2 |
| 15-20 | 295.7 |
| 20-25 | 448.1 |
| 25-30 | 621.9 |
| 30-35 | 811.1 |
| 35-40 | 1008 |
| 40-45 | 1028 |
| 45-50 | 1402 |
| 50-55 | 1585 |
| 55-60 | 1750 |
| 60-65 | 1892 |
| 65-70 | 2006 |
| 70-75 | 2089 |
| 75-80 | 2143 |
| 80-85 | 2173 |
| 85-90 | 2184 |
| 90-95 | 2185 |
| 95-100 | 2186 |
| 100-105 | 2186 |
| 105-110 | 2187 |
| 110-115 | 2187 |
| 115-120 | 2188 |
| 120-125 | 2189 |
| 125-130 | 2189 |
| 130-135 | 2190 |
| 135-140 | 2191 |
| 140-145 | 2191 |
| 145-150 | 2192 |
| 150-155 | 2192 |
| 155-160 | 2193 |
| 160-165 | 2193 |
| 165-170 | 2193 |
| 170-175 | 2193 |
| 175-180 | 2193 |
| | UNIT: lm |

Luminance cd/(m2)

| G(DEG) | C0/180 | C90/270 |
|--------|--------|---------|
| 85 | 5516 | 9701 |
| 80 | 7641 | 9628 |
| 75 | 9107 | 9653 |
| 70 | 10216 | 10708 |
| 65 | 10953 | 11421 |
| 60 | 11517 | 11982 |
| 55 | 11960 | 12318 |
| 50 | 12328 | 12664 |
| 45 | 12660 | 13032 |

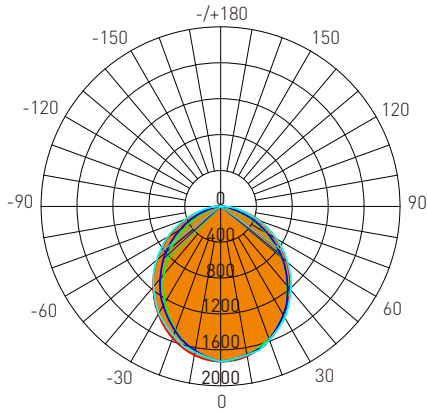
ZETA 3.8"-Recessed

Spec-grade | Architectural LED Linear Lighting



DISTRIBUTION DIAGRAM

4' / Flat Lens / 4000K / Down 100%



AVERAGE BEAM ANGLE(50%): 101.8°

Lumens: 4601.1 Lms
Watts: 40.70 W
LPW: 113.05 Lm/W
CCT: 4000K

UNIT: cd
— C0/180, 106.4°
— C30/210, 95.4°
— C60/240, 98.6°
— C90/270, 107.0°

Zonal Flux Diagram

| τ | C0 | C45 | C90 | C135 | C180 |
|-----|-----------------------|-------|-------|-------|--------|
| 5 | 1722 | 1709 | 1706 | 1706 | 1717 |
| 10 | 1695 | 1677 | 1682 | 1675 | 1684 |
| 15 | 1649 | 1636 | 1658 | 1635 | 1633 |
| 20 | 1585 | 1586 | 1584 | 1590 | 1565 |
| 25 | 1506 | 1493 | 1510 | 1512 | 1484 |
| 30 | 1416 | 1387 | 1436 | 1427 | 1389 |
| 35 | 1314 | 1275 | 1326 | 1342 | 1285 |
| 40 | 1203 | 1156 | 1216 | 1249 | 1173 |
| 45 | 1086 | 1014 | 1106 | 1091 | 1054 |
| 50 | 963.8 | 871.8 | 975.9 | 918.6 | 929.4 |
| 55 | 836.5 | 728.6 | 845.3 | 758.1 | 800.3 |
| 60 | 704.6 | 572.0 | 714.7 | 619.5 | 667.5 |
| 65 | 569.8 | 418.6 | 575.4 | 499.1 | 532.1 |
| 70 | 433.8 | 276.3 | 436.2 | 396.8 | 395.5 |
| 75 | 299.2 | 151.4 | 296.9 | 306.5 | 259.8 |
| 80 | 173.5 | 46.97 | 199.3 | 221.0 | 138.4 |
| 85 | 67.17 | 24.98 | 101.7 | 141.2 | 42.14 |
| 90 | 4.654 | 5.485 | 4.104 | 62.49 | 68.39 |
| 95 | 1.536 | 5.339 | 4.131 | 35.95 | 0.5650 |
| 100 | 1.517 | 5.168 | 4.158 | 9.947 | 0.6159 |
| 105 | 1.447 | 4.856 | 4.186 | 6.647 | 0.8541 |
| 110 | 1.527 | 4.510 | 4.608 | 7.029 | 1.120 |
| 115 | 1.756 | 4.298 | 5.031 | 6.921 | 1.423 |
| 120 | 2.026 | 4.097 | 5.454 | 6.481 | 1.648 |
| 125 | 2.316 | 3.844 | 5.632 | 6.146 | 1.937 |
| 130 | 2.260 | 3.626 | 5.810 | 5.352 | 2.180 |
| 135 | 2.578 | 3.737 | 5.988 | 4.750 | 2.455 |
| 140 | 2.914 | 4.015 | 5.998 | 4.398 | 2.693 |
| 145 | 3.184 | 4.449 | 6.008 | 4.322 | 2.908 |
| 150 | 3.413 | 4.788 | 6.017 | 4.397 | 3.132 |
| 155 | 3.684 | 4.857 | 5.831 | 4.608 | 3.342 |
| 160 | 3.880 | 5.161 | 5.644 | 4.747 | 3.501 |
| 165 | 4.043 | 5.122 | 5.458 | 4.799 | 3.655 |
| 170 | 4.201 | 4.855 | 5.089 | 4.749 | 3.763 |
| 175 | 4.272 | 4.593 | 4.720 | 4.531 | 3.879 |
| 180 | 4.351 | 4.351 | 4.351 | 4.351 | 3.912 |
| DEG | LUMINOUS INTENSITY:cd | | | | |

Zonal Lumens

| τ | φ total |
|---------|----------|
| 0-5 | 40.97 |
| 5-10 | 161.6 |
| 10-15 | 357.0 |
| 15-20 | 619.7 |
| 20-25 | 938.7 |
| 25-30 | 1303 |
| 30-35 | 1698 |
| 35-40 | 2111 |
| 40-45 | 2527 |
| 45-50 | 2930 |
| 50-55 | 3305 |
| 55-60 | 3641 |
| 60-65 | 3927 |
| 65-70 | 4157 |
| 70-75 | 4328 |
| 75-80 | 4445 |
| 80-85 | 4520 |
| 85-90 | 4561 |
| 90-95 | 4577 |
| 95-100 | 4583 |
| 100-105 | 4585 |
| 105-110 | 4587 |
| 110-115 | 4588 |
| 115-120 | 4590 |
| 120-125 | 4591 |
| 125-130 | 4593 |
| 130-135 | 4594 |
| 135-140 | 4595 |
| 140-145 | 4596 |
| 145-150 | 4599 |
| 150-155 | 4993 |
| 155-160 | 4599 |
| 160-165 | 4600 |
| 165-170 | 4601 |
| 170-175 | 4601 |
| 175-180 | 4601 |
| | UNIT: lm |

Luminance cd/(m2)

| G(DEG) | C0/180 | C90/270 |
|--------|--------|---------|
| 85 | 6701 | 10147 |
| 80 | 8688 | 9980 |
| 75 | 10052 | 9975 |
| 70 | 11029 | 11089 |
| 65 | 11724 | 11840 |
| 60 | 12254 | 12430 |
| 55 | 12681 | 12815 |
| 50 | 13038 | 13202 |
| 45 | 13358 | 13607 |