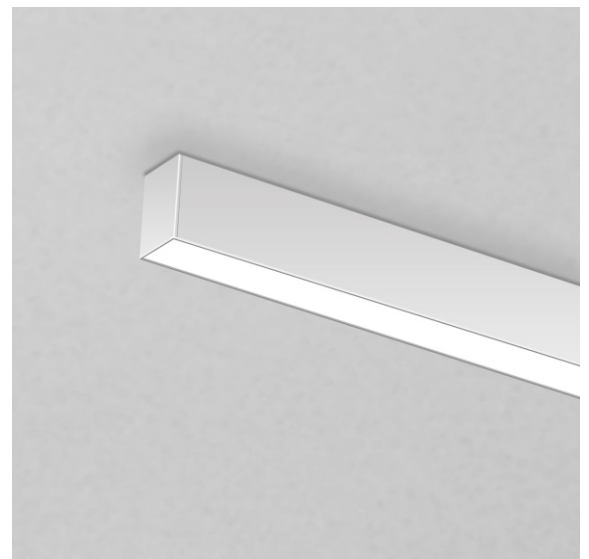


ZETA 1.8"-Surface

Spec-grade | Architectural LED Linear Lighting

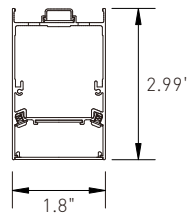


Combining superior esthetics, quality performance and unparalleled versatility, Zeta 1.8" series offers new opportunities to capture the beauty and benefits of true lighting. With a maximum output of 1200 lm/ft and a choice of various lengths, Zeta is capable of delivering the light levels needed for the most demanding applications by CCT adjustable and wattage selectable functions, compatible for dry ceiling and drop ceiling. While simple in appearance.



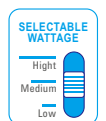
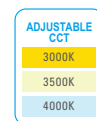
Feature

- 2 lighting distribution by dip switch
- CCT adjustable and wattage selectable
- Up to 1200 lm/ft
- Continuous runs or Custom pattern
- Surface (Pendant mounted available)
- 3 lengths & 1.8" width with internal driver



PERFORMANCE

Finish	Length	Wattage Selectable	Lumen (100% down)			Efficacy
			3000K	3500K	4000K	
White	2'	20W/15W/10W	1050~2100lm	1150~2300lm	1100~2200lm	580~1170 lm/ft
	4'	40W/30W/20W	2100~4200lm	2300~4600lm	2200~4400lm	
	8'	80W/60W/40W	4200~8400lm	4600~9200lm	4400~8800lm	
Black	2'	20W/15W/10W	850~1700lm	950~1900lm	900~1800lm	480~970 lm/ft
	4'	40W/30W/20W	1700~3400lm	1900~3800lm	1800~3600lm	
	8'	80W/60W/40W	3400~6800lm	3800~7600lm	3600~7200lm	



* Check the IES file to gain the accurate data.

ZETA 1.8"-Surface

Spec-grade | Architectural LED Linear Lighting



PRODUCT ORDERING GUIDE

Example: ZE4M-WH-40W-D10-80TW-A-DF (Surface)

Default Settings: Maximum wattage, 4000K and 100% down.

Product Series	Length	Finish	Wattage	0-10V Dim	CRI	CCT	Lighting Distribution	Down Lens	
ZE	2M QuickShip ZETA Linear 2 Feet Medium	WH QuickShip White	20W QuickShip 20W/15W/10W Selectable for 2ft	D10 QuickShip 110-277V AC Dims to 10%	80 QuickShip 80+ CRI (Standard)	TW QuickShip CCT adjustable 3000K/3500K/ 4000K	A QuickShip 100% down or 25%up/75% down by visible Dip switch	DF QuickShip Diffuser	Just to remark the mounting. Don't show in product label.
	4M QuickShip 4 Feet Medium	BL QuickShip Black	40W QuickShip 40W/30W/20W Selectable for 4ft	90 QuickShip 90+ CRI*					
	8M QuickShip 8 Feet Medium	CM QuickShip Custom *	80W QuickShip 80W/60W/40W Selectable for 8ft	D01 QuickShip 110-277V AC Dim to 1%*					

Note: UL model number is upgrading. The model number stuck in the product may be different with the latest specsheet if you order from Houston warehouse in this half of year. They are both UL listed.

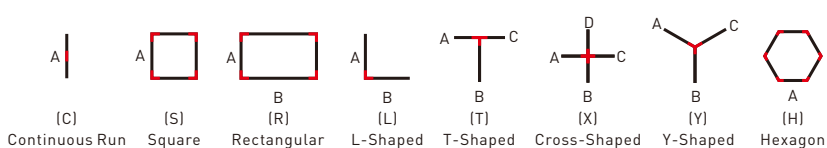
OPTIONAL ACCESSORY

Non-lit Joiner		Mounting & Optional Function	
SJ QuickShip Straight Line Joiner (Optional 40" rolling lens)	5.5" x 1.7" Line Joiner	SMK QuickShip Surface Mounting Kits	
TJ QuickShip "T" Joiner	7.35" x 3" "T" Joiner*	EME QuickShip Emergency Function (Only external 8w or 25w LED emergency driver with standard indicator available and need field-installed.)	
LJ QuickShip "L" Joiner	4.75" x 3" "L" Joiner		
XJ QuickShip "X" Joiner	7.35" x 3" "X" Joiner*		
YJ QuickShip "Y" Joiner*	6.55" x 3" "Y" Joiner*		
VJ QuickShip "V" Joiner *	6.55" x 3" "V" Joiner*		

CUSTOM LINE OR SHAPE ORDERING GUIDE

Example: ZEM-S-S08-WH-D10

SHAPE/LENGTH* (CHOOSE 1 & ENTER LENGTH IN FEET)	Finish	0-10V Dim
ZEM-S-C ___ Individual 6ft/ up to 8ft Continuous Run Section (Enter length in product code above, ex. C18) QuickShip	WH QuickShip White	D10 QuickShip 110-277V AC Dims to 10%
ZEM-S-S ___ Square Configuration (Enter side length A, ex: S18) QuickShip	BL QuickShip Black	D01 QuickShip 110-277V AC Dim to 1%*
ZEM-S-R ___/___ Rectangular Configuration (Enter side lengths A and B, ex. R12/24) QuickShip	CM QuickShip Custom *	
ZEM-S-L ___/___ L-Shaped Configuration (Enter side lengths A and B, ex. L12/24) QuickShip		
ZEM-S-X ___/___/___/___ Cross-Shaped Configuration (Enter side lengths A, B,C and D, ex. X02/02/02/02) QuickShip		
ZEM-S-Y ___/___/___ Y-Shaped Configuration (Enter side lengths A,B and C, ex. Y04/04/04)		
ZEM-S-H ___ Hexagon-Shaped Configuration (Enter side lengths A, ex. H4)		



* Means additional cost and/or lead time on customized fixtures may apply. Some fixtures require an MOQ. Please contact your sales rep for more information.

Damp rated for ambient operating temperature of -20°C to +40°C [-4° to +104°F]

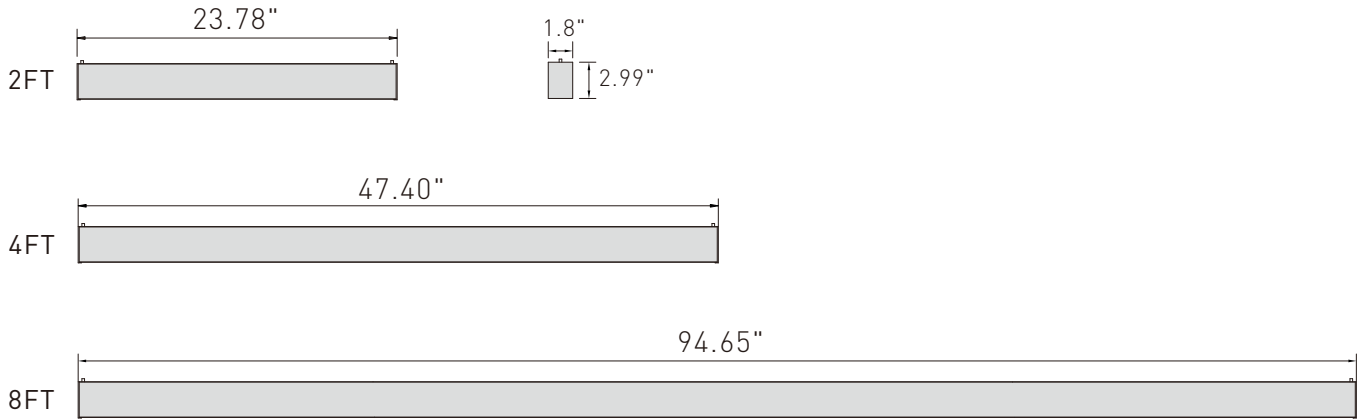
Shape orientation Looking from the Ceiling down to the floor. All corners of shape must be 90° or 120°, same plane. joiners and rolling lens will be included. FOR more complex shape, CONTACT OKT.

ZETA 1.8"-Surface

Spec-grade | Architectural LED Linear Lighting



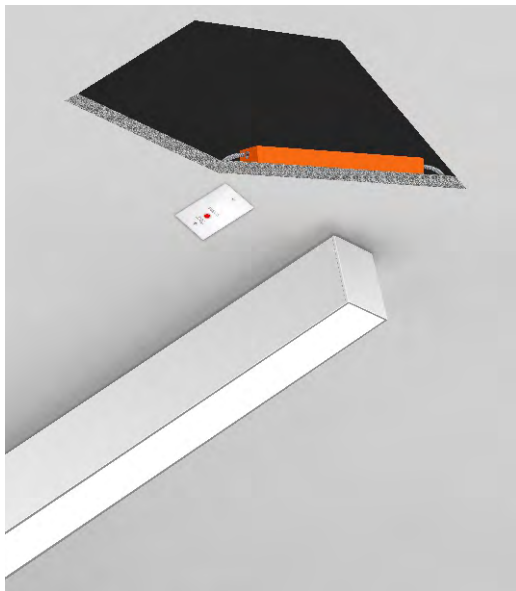
DIMENSIONS



OPTIONAL FUNCTION

► Emergency Option

OKT Lighting offers UL& CEC Listed LED emergency drivers. They could be factory installed or field installed. When AC power fails it, immediately switches to the emergency mode operating for lighting minimum 90 minutes. When AC power is restored it, automatically returns to the charging mode which meets critical life-safety lighting requirements.



EME

Order Separated LED emergency driver

Optional OKT high voltage 8W emergency LED driver can be provided. When AC power fails, it immediately switches to the emergency mode, operating for lighting up to 120 minutes. When AC power is restored, it automatically returns to the charging mode which meets critical life-safety lighting requirements. For more info or spec sheet, please visit our website or contact sales.



Code-Required Testing

• Initial Self-Test After Installation

It will perform a functional test in 3 seconds after the driver installed to check the wiring and battery output when work. The indicator LED will be off or flicker in case of a failure or an error.

• Second Self-Test In 120 Minutes

It will perform second test in 120 minutes to check again. Upgrade in Gen 3: Repeat 4 times in every 120 minutes if fail in the second test.

• Monthly Self-Test

It will automatically perform a test every 30 days with a duration of 3 seconds, in which the wiring and battery output are checked. In case of a failure or an error, the indicator LED will be off or flicker.

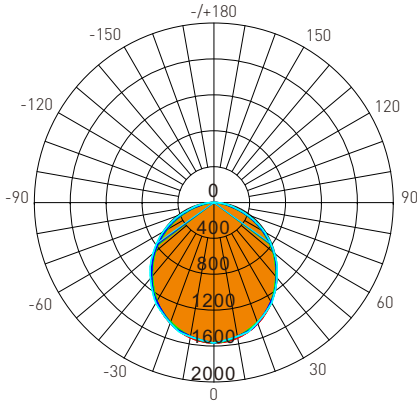
ZETA 1.8"-Surface

Spec-grade | Architectural LED Linear Lighting



DISTRIBUTION DIAGRAM

4' / Diffuser/100% Down/3000K



AVERAGE BEAM ANGLE(50%): 107.4°

Lumens: 4175.42 Lm
Watts: 40 W
LPW: 107.97 Lm/W
CCT: 3000K

UNIT: cd
— C0/180, 107.7°
— C30/210, 105.9°
— C60/240, 107.1°
— C90/270, 108.9°

Zonal Flux Diagram

τ	C0	C45	C90	C135	C180
5	1556	1543	1539	1542	1555
10	1532	1513	1514	1513	1528
15	1490	1475	1490	1475	1487
20	1433	1430	1423	1432	1429
25	1363	1353	1356	1359	1360
30	1282	1268	1290	1277	1277
35	1190	1180	1192	1194	1186
40	1090	1086	1095	1093	1087
45	984.1	972.8	997.1	903.1	982.0
50	871.7	859.5	880.8	717.3	870.4
55	756.0	747.0	764.5	563.3	753.9
60	634.8	616.5	648.3	465.0	633.8
65	510.5	488.9	519.9	373.3	510.2
70	384.1	361.7	391.5	283.0	384.4
75	259.5	235.0	263.1	194.8	257.1
80	141.1	120.8	176.0	115.2	139.2
85	43.64	60.87	88.86	59.69	25.85
90	0.7283	2.885	1.718	5.544	3.443
95	1.779	2.816	1.973	4.765	0.5225
100	1.956	2.742	2.228	4.015	0.7466
105	2.181	2.862	2.483	4.599	1.017
110	2.418	2.997	2.832	5.326	1.321
115	2.619	3.078	3.181	5.658	1.638
120	2.871	3.146	3.530	5.661	1.941
125	3.091	3.239	3.785	5.580	2.264
130	3.306	3.442	4.039	5.066	2.544
135	3.530	3.716	4.294	4.649	2.810
140	3.712	4.043	4.347	4.380	3.043
145	3.880	4.233	4.400	4.376	3.277
150	4.029	4.362	4.453	4.417	3.557
155	4.127	4.466	4.439	4.556	3.795
160	4.230	4.512	4.426	4.705	3.991
165	4.318	4.405	4.412	4.765	4.164
170	4.318	4.354	4.374	4.534	4.290
175	4.248	4.286	4.337	4.390	4.397
180	4.300	4.300	4.300	4.300	4.458
DEG	LUMINOUS INTENSITY:cd				

Zonal Lumens

τ	φ total
0-5	37.10
5-10	146.5
10-15	324.3
15-20	563.8
20-25	855.4
25-30	1189
30-35	1552
35-40	1932
40-45	2314
45-50	2684
50-55	3028
55-60	3337
60-65	3603
65-70	3818
70-75	3977
75-80	4081
80-85	4138
85-90	4157
90-95	4158
95-100	4159
100-105	4160
105-110	4162
110-115	4163
115-120	4164
120-125	4166
125-130	4167
130-135	4168
135-140	4170
140-145	4171
145-150	4172
150-155	4173
155-160	4174
160-165	4174
165-170	4175
170-175	4175
175-180	4175
	UNIT: lm

Luminance cd/(m2)

G(DEG)	C0/180	C90/270
85	9446	19236
80	15327	19123
75	18920	19183
70	21187	21598
65	22791	23210
60	23954	24462
55	24868	25149
50	25588	25854
45	26258	26605