

# U-Line Linear

Pendant | LED Trunking Linear Light



The OKT U-Line Indirect Linear Lighting System redefines architectural illumination with its innovative 10% uplight / 90% downlight distribution, delivering unmatched efficiency at 150 lm/W. Engineered for optical excellence, its customizable design ensures stable, long-lasting, and low glare light diffusion, while the flexible trunking system allows effortless repositioning to adapt to evolving spatial layouts. Ideal for demanding retail, commercial, and workplace applications, this energy-efficient solution outperforms traditional linear fluorescent lighting with superior sustainability and minimal maintenance.



## FEATURE

- Unique design, indirect lighting solution
- 4' and 8' lengths, up to 140w
- 5 Wires trunking rail
- High efficacy, up to 150LM/W
- Low glare, UGR<19
- 10% uplight and 90% downlight
- Continuous runs, up to 168ft
- ETL and 5 years limited warranty



## PRODUCT ORDERING GUIDE

Example: CULS-1270-35FU-05WH-10

CULS	12	70	35	FU	05	WH	10
Category	Length	Wattage	CCT	Beam Angle	Wire	Finish	Dimming
CULS U Line Linear Luminaire	12 4ft Length	70 Up to 70w for 4ft	35 3500K	FU Flood 120° 10% Uplight and 90% downlight	05 5 Wires	WH White Finish	10 0-10V Dimming
	24 8ft Length	140 Up to 140w for 8ft	40 4000K				

©OKT Lighting. All right reserved. Product design and development is an ongoing process by OKT Lighting. We reserve the right to change specifications. Contact OKT for the latest product information or visit [www.oktlighting.com](http://www.oktlighting.com) for more.

# U-LineLinear

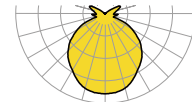
Pendant | LED Trunking Linear Light



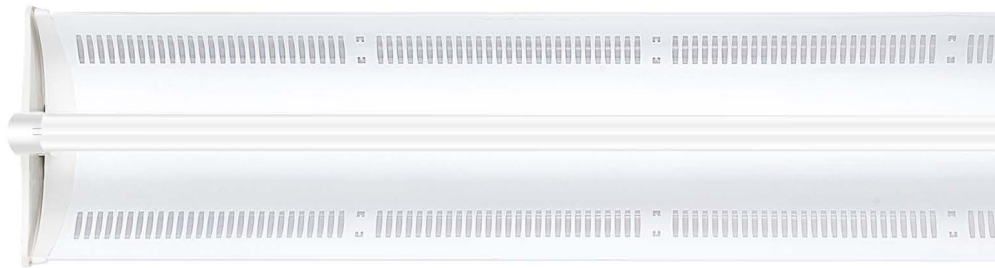
## OPTICS

10% of the light upward to the ceiling and 90% reflected onto the floor with unique reflective design.

FD-120°  
Extremely Wide



Flat Beam Angle  
Down 90%  
Up 10%



## PRODUCT PERFORMANCE

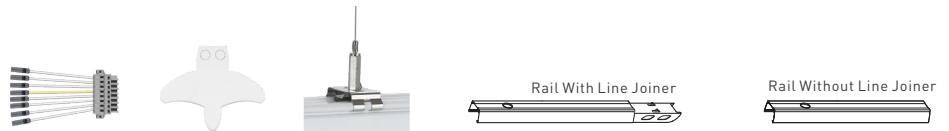
Length	4ft	8ft
Wattage Selectable	55W/60W/65W/70W	110W /120W/130W/140W
Input Voltage	100 - 277VAC	100 - 277VAC
Input Current	0.65/0.7/0.75/0.8A Max	1.3/1.4/1.5/1.6A Max
Mains Frequency	50/60HZ	50/60HZ
PF	0.9	0.9
Lumen	UP to 10500lm	Up to 21000lm
Efficacy	UP to 150 lm/w	Up to 150 lm/w
Fixed CCT	3500K / 4000K	3500K / 4000K
CRI	80+	80+
R9	>0	>0
SDCM	<3	<3
Beam Angle	120°	120°
Dimming	0-10V	0-10V
Dimming Range	5%-100%	5%-100%
THD	15%	15%
Flicker Metric Pst LM	≤1.0	≤1.0
Stroboscopic Effect Metric SVM	≤0.4	≤0.4
Flicker Percent	≤5%	≤5%
Operating Humidity	10% - 80%	10% - 80%
Storage Humidity	10% - 80%	10% - 80%
Ambient Temperature Ta (At Life-time 50,000 h)	-25°C - 40°C	-25°C - 40°C
Warranty	5 years limited	5 years limited
Storage Temperature Ts	-40°C - 85°C	-40°C - 85°C
Turn On Time (Output)	≤1s	≤1s
Output Voltage	30-42V	30-42V
Output Current	0.96/1.19/1.41/1.65A Max	1.92/2.38/2.82/3.3A Max
Surge (Between L - N)	2.5KV	2.5KV
Surge (Between L/N - PE)	2KV	2KV
Max. Casing Temperature Tc	75°C	75°C

## TRUNKING RAIL

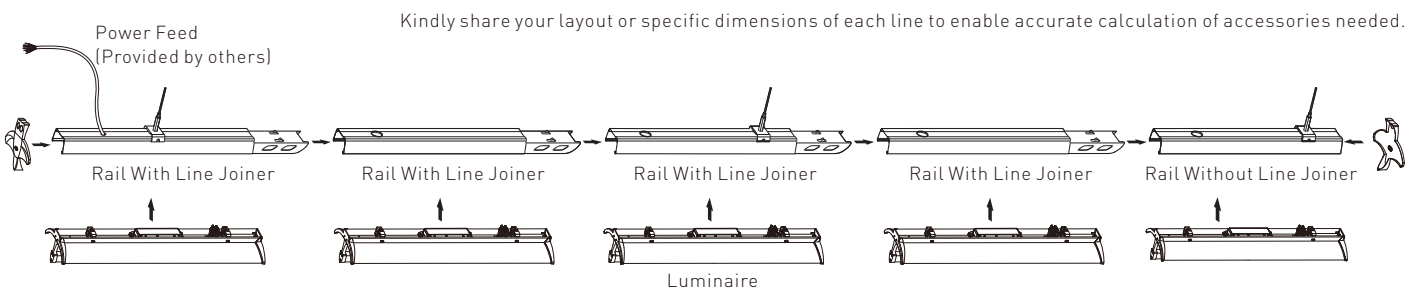


- The flexible trunking system for challenging lighting demands in all applications.
- With fully compatible modular kit, it adapts individually to complex lighting tasks.
- Luminaires can be positioned flexibly and the system can be adapted to suit structural alterations at any time.
- The trunking rail is simply a matter of replacing or adding lighting modules, light sources or optics as required.
- Trunking rail as standard with 5-core through-wiring with 2.5mm<sup>2</sup> cable for power supply and 1.5mm<sup>2</sup> cable for dimming control.
- Continuous runs, up to 168ft.

## CONTINUOUS RUN

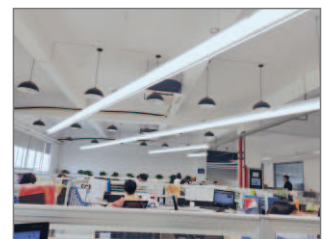


Luminaire Run Length (ft)	Run Configuration	Connector For Power Feed	End Cap	Suspension Cord 10FT	Rail With Line Joiner	Rail Without Line Joiner [For Single or Last Runs]
4	4'	1	2	2	0	1
8	8'	1	2	2	0	1
12	8'+4'	1	2	2	1	1
16	8'+8'	1	2	2	1	1
20	8'+8'+4'	1	2	3	2	1
24	8'+8'+8'	1	2	3	2	1
28	8'+8'+8'+4'	1	2	4	3	1
32	8'+8'+8'+8'	1	2	4	3	1
36	8'+8'+8'+8'+4'	1	2	5	4	1



## APPLICATION

Retail • Office • Industrial • Warehouse • Other indoor lighting



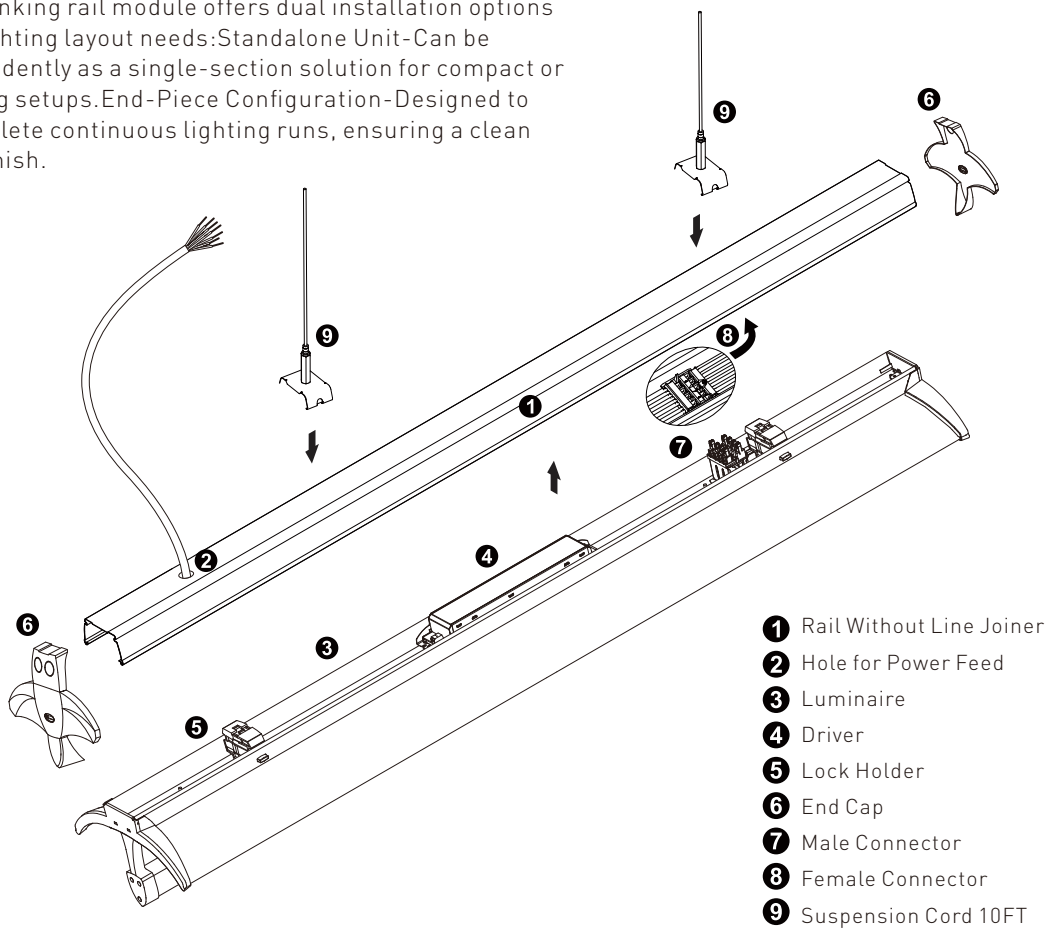
# U-LineLinear

Pendant | LED Trunking Linear Light

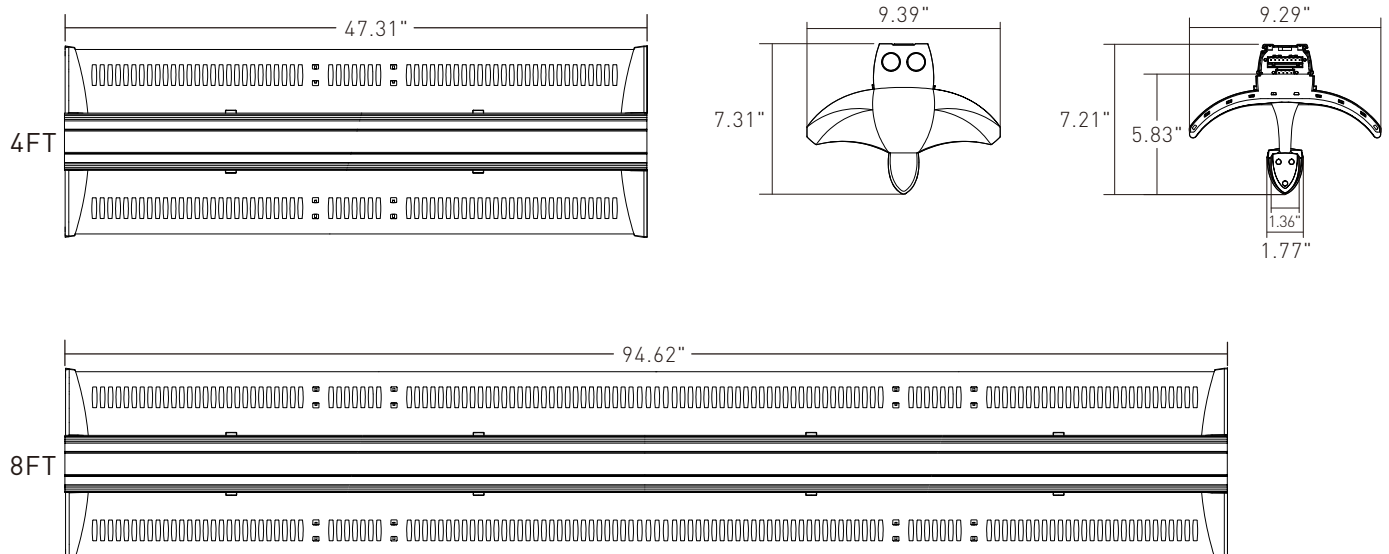


## RAIL WITHOUT LINE JOINER

This versatile trunking rail module offers dual installation options to suit various lighting layout needs: Standalone Unit- Can be installed independently as a single-section solution for compact or individual lighting setups. End-Piece Configuration- Designed to seamlessly complete continuous lighting runs, ensuring a clean and integrated finish.

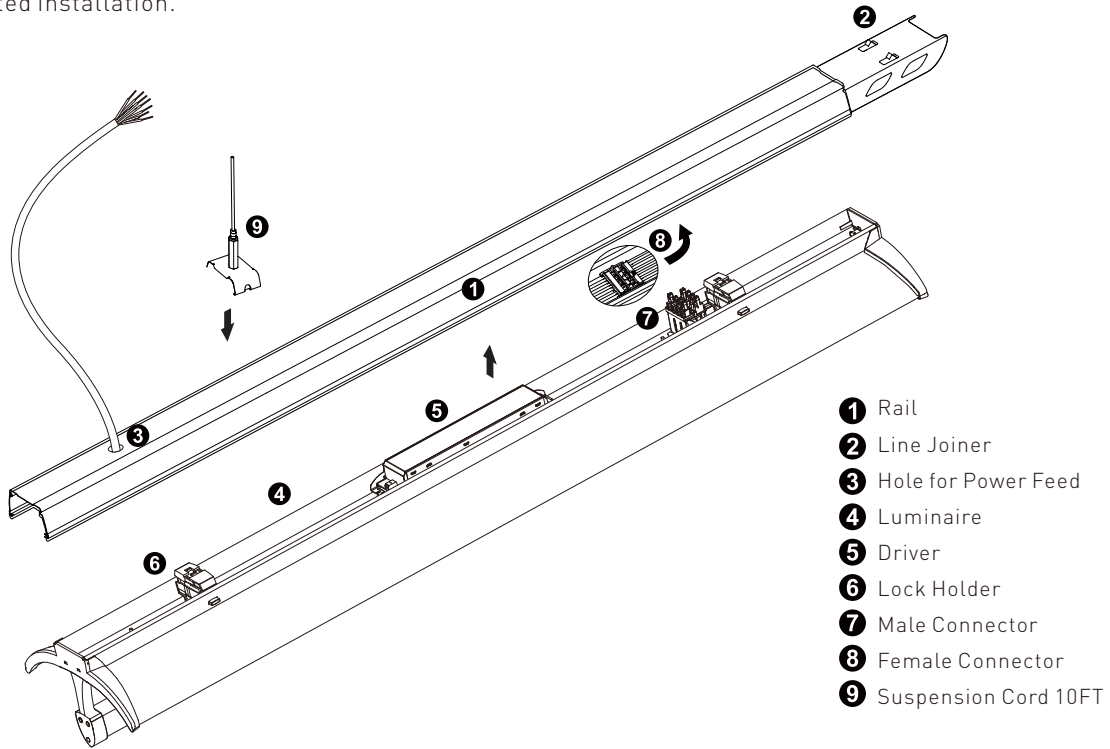


## Dimensions

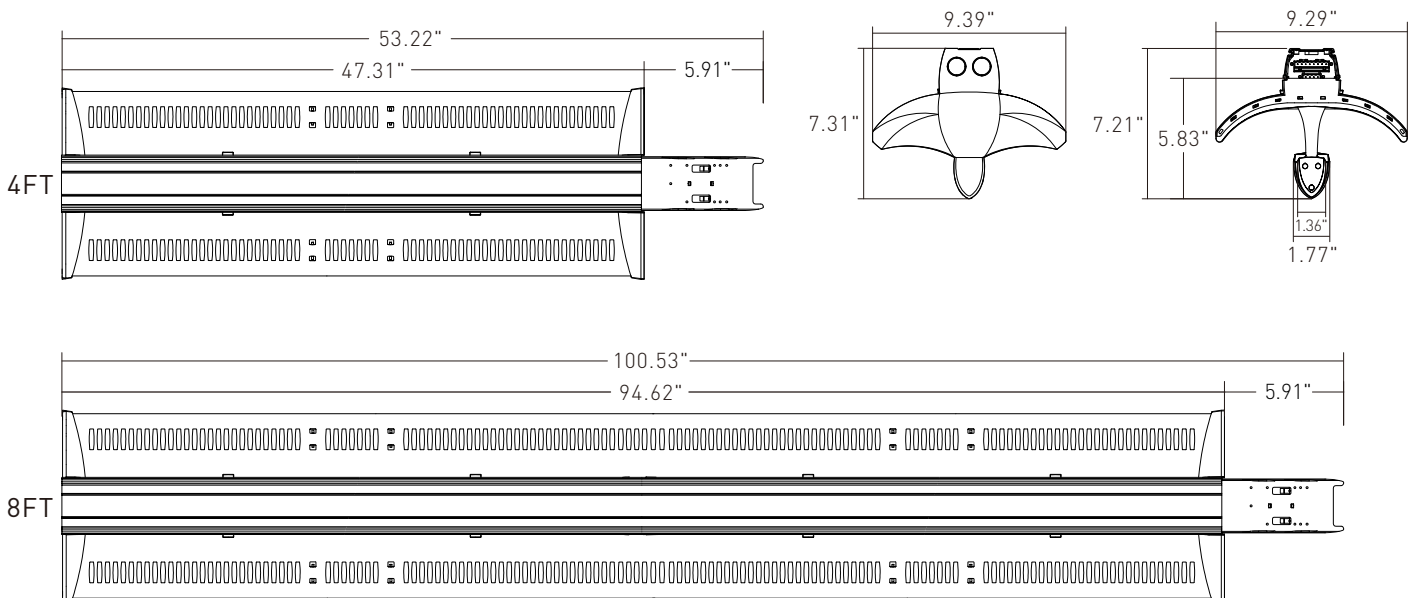


## RAIL WITH LINE JOINER

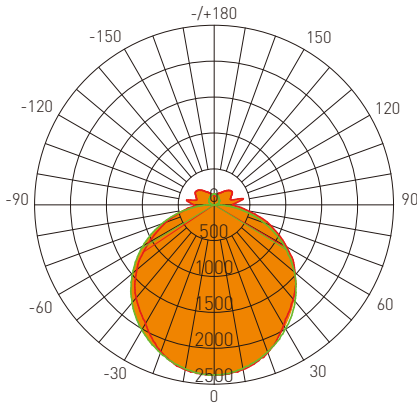
This module is designed for the first and middle sections of continuous lighting runs. The integrated line joiner seamlessly connects adjacent light fixtures, ensuring a secure and uninterrupted installation.



## Dimensions



## DISTRIBUTION DIAGRAM



AVERAGE BEAM ANGLE(50%): 116.2°

Lumens: 8385.16 Lm  
Watts: 60 W  
LPW: 141.51Lm/W  
CCT: 4000K

UNIT: cd  
— C0/180,115.5°  
— C90/270,117.0°

Zonal Flux Diagram

τ	C0	C45	C90	C135	C180
10	2331	2325	2317	2311	2334
20	2190	2194	2180	2177	2176
30	1935	1984	1992	1955	1912
40	1718	1700	1754	1668	1693
50	1468	1450	1459	1411	1408
60	1167	1152	1118	1087	1050
70	837.2	810.7	747.9	705.3	712.5
80	472.8	451.0	360.0	371.4	412.4
90	264.7	196.0	12.37	201.2	282.4
100	387.3	196.4	35.99	159.8	391.7
110	242.2	151.0	63.18	181.9	262.8
120	286.7	229.6	84.65	256.6	305.3
130	307.6	205.0	99.96	228.5	311.8
140	259.5	151.4	107.2	182.9	265.4
150	200.1	124.8	123.1	179.9	209.4
160	167.4	122.2	137.3	167.5	175.2
170	136.3	133.2	148.4	155.0	143.7
180	156.8	149.1	153.4	149.5	157.3
DEG	LUMINOUS INTENSITY:cd				

Zonal Lumens

τ	φ total
0-10	224.2
10-20	864.2
20-30	1827
30-40	2984
40-50	4212
50-60	5367
60-70	6304
70-80	6928
80-90	7233
90-100	7446
100-110	7622
110-120	7808
120-130	8002
130-140	8155
140-150	8260
150-160	8331
160-170	8372
170-180	8385
DEG	UNIT: lm

Luminance cd/(m2)

G(DEG)	C0/180	C90/270
85	15438	7518
80	10221	7650
75	9571	7907
70	9189	8070
65	8883	8183
60	8759	8252
55	8772	8327
50	8571	8375
45	8524	8428